

SYMETRICAL COUPLINGS ALUMINIUM (2410-2417)



Size : DN 20 to DN 150
Ends : Female , Male and hose coupling
Min Temperature : - 10°C
Max Temperature : + 80°C
Max Pressure : 16 Bars
Specifications : Aluminium
White NBR gasket
According to NF-E 29572

Materials : Aluminium

SYMETRICAL COUPLINGS ALUMINIUM (2410-2417)

SPECIFICATIONS :

- Aluminium couplings
- White NBR gasket (only for couplings with lock)
- According to NF-E 29572

USE :

- Irrigation , network fire , hydrocarbon , common fluids
- Min and max Temperature Ts : - 10°C to + 80°C
- Max Pressure Ps : 16 bars

RANGE :

- Hose coupling with lock **Ref.2410** DN 20-25 to DN 150-152
- Hose coupling with lock **Ref.2411** DN 50-51 to DN 100-102
- Reduced coupling with lock **Ref.2412** DN 40-25 to DN 150-100
- Male coupling with lock **Ref.2413** DN 20 to DN 150
- Female coupling with lock **Ref.2414** DN 20 to DN 150
- Male coupling without lock **Ref.2415** DN 20 to DN 100
- Female coupling without lock **Ref.2416** DN 20 to DN 100
- Cap with lock and chain **Ref.2417** DN 20 to DN 150

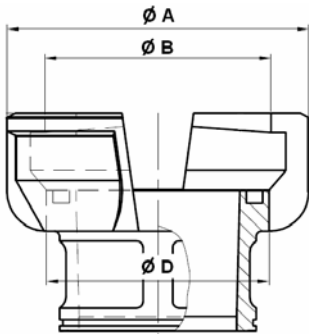
MATERIALS:



Item	Designation	Materials
1	Body	Aluminium
2	Gasket	White NBR
3	Snap ring	Steel

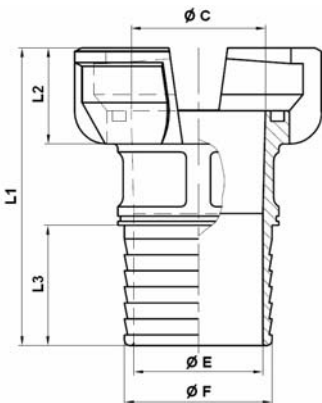
SYMETRICAL COUPLINGS ALUMINIUM (2410-2417)
SIZE (in mm) :

- For all types (excepted cap)



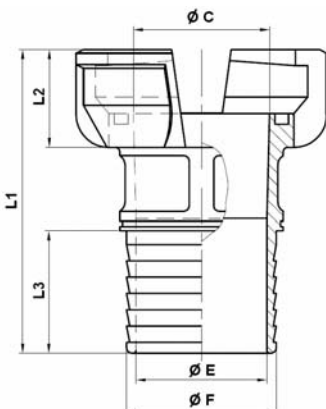
REF.	DN	20	25	32	40	50	65	80	100	150
All	Ø A	47	54	58	75	92	108	131	151	236
	Ø B	32	37	42.5	55	69	84	103	123	193
	Ø D	31	37	41.5	54	68	83	101	121	190

- Hose coupling with lock Ref.2410



REF.	DN	20	25	32	40	40	50	65	80	100	100	150
2410	Ø F	25	30	35	40.5	45	55	70	90	105	110	152
	Ø E	20	24	30	34	38	48	62	79	90	92	139
	Ø C	20	24	30	40	40	50	65	82	98	98	150
	L1	74.2	75.5	79	92	97	111.5	116	146	192	172	240
	L2	19.2	19.7	21.5	27.5	27.5	36	34	39	42	42	57
	L3	33	32	32	35	38	45	50	62	103	90	120
	Weight (Kg)	0.06	0.07	0.09	0.22	0.19	0.38	0.47	0.8	0.98	1.13	3.06

- Hose coupling with lock Ref.2411

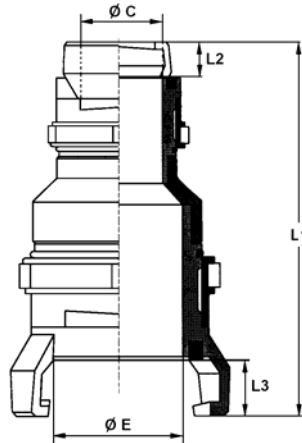


REF.	DN	50	65	80	80	100
2411	Ø F	51	63	76	81	102
	Ø E	43	56	65	70	92
	Ø C	50	65	82	81	98
	L1	68	83	101	148	198
	L2	36	34	39	39	42
	L3	50	60	59	58	104.5
	Weight (Kg)	0.36	0.44	0.8	0.79	1.14

SYMETRICAL COUPLINGS ALUMINIUM (2410-2417)

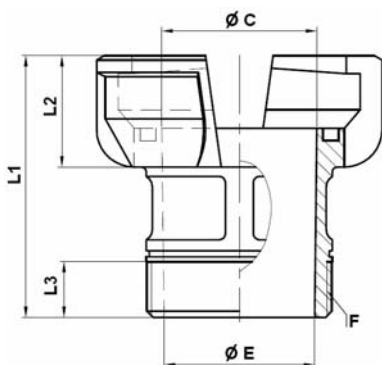
SIZE (in mm):

- Reduced coupling with lock Ref.2412



REF.	DN	40	40	40	50	50	50	65	65	80	80	80	100	100	100	100	150
2412	DN1	20	25	32	25	32	40	40	50	40	50	65	40	50	65	80	100
	Ø E	39	39	39	49	49	49	64	64	79	79	79	98	98	98	98	149
	Ø C	19	23	29	24	24	39	39	49	39	48	64	39	49	64	79	98
	L1	130	115	117	146	143	138	138	150	163	182	178	150	164	180	177	225
	L2	21	21	21	21	21	29	29	37	29	37	34	29	37	34	39	41
	L3	28	28	28	36	36	37	34	34	39	39	39	39	39	39	39	58
	Weight (Kg)	0.28	0.25	0.24	0.43	0.44	0.44	0.52	0.62	0.70	0.83	0.86	0.93	1.08	1.08	1.31	3.97

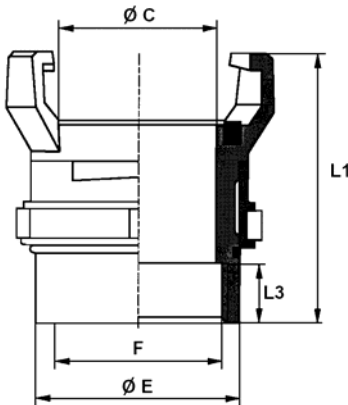
- Male coupling with lock Ref.2413



REF.	DN	20	25	32	40	50	65	80	100	150
2413	F	3/4"	1"	1"1/4	1"1/2	2"	2"1/2	3"	4"	6"
	Ø E	20	22	30	38	48	63	80	96	149
	Ø C	20	24	30	40	50	65	82	98	149
	L1	52.7	56.5	67	69.5	84.5	86	99	108	158
	L2	19.2	19.7	21.5	27.5	36	34	39	42	59
	L3	12	13	13	15	18	20	24	26	34
	Weight (Kg)	0.05	0.07	0.11	0.16	0.3	0.34	0.59	0.86	3.19

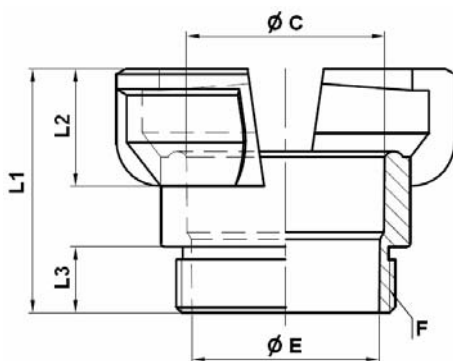
SYMETRICAL COUPLINGS ALUMINIUM (2410-2417)
SIZE (in mm) :

- Female coupling with lock Ref.2414



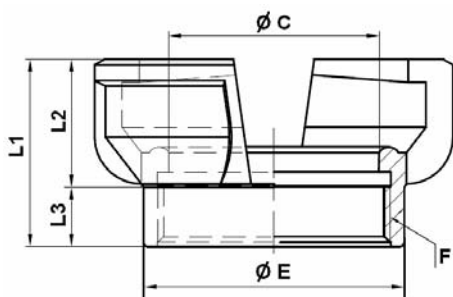
REF.	DN	20	25	32	40	50	65	80	100	150
2414	F	3/4"	1"	1"1/4	1"1/2	2"	2"1/2	3"	4"	6"
	Ø E	30	42	48	56	68	84	94	122	180
	Ø C	20	24	30	39	49	64	80	97	150
	L1	59	68	68	86	106	109	103	136	120
	L3	12	14.5	14	17	21	22	26	27	37
	Weight (Kg)	0.05	0.09	0.12	0.21	0.37	0.44	0.76	1	2.35

- Male coupling without lock Ref.2415



REF.	DN	20	25	32	40	50	65	80	100
2415	F	3/4"	1"	1"1/4	1"1/2	2"	2"1/2	3"	4"
	Ø E	19.8	24	30	38	51	65	77	98
	Ø C	19.8	25	30	40	54	69	81	101
	L1	40	43	43.5	53	66.5	66.5	78	83
	L2	19.2	22	22.5	27.5	36	33	39	42
	L3	12	13	13.5	15	18	20	24	25
Weight (Kg)	0.03	0.05	0.07	0.12	0.20	0.29	0.35	0.52	

- Female coupling without lock Ref.2416

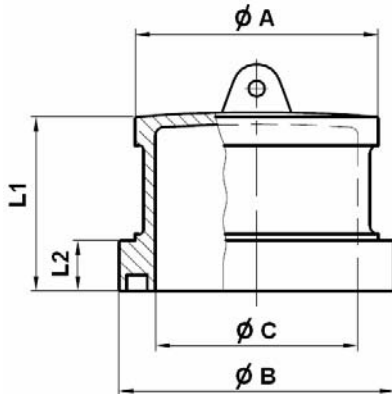


REF.	DN	20	25	32	40	50	65	80	100
2416	F	3/4"	1"	1"1/4	1"1/2	2"	2"1/2	3"	4"
	Ø C	19.8	25	30	40	53	65	82	101
	Ø E	30	40	48	54	67	86	102	122
	L1	30	34	48	44.5	48	59.5	59	63
	L2	19.2	22	22.5	27.5	36	33	39	42
	L3	12	14	14	18	18	22	26	27
Weight (Kg)	0.02	0.02	0.08	0.08	0.16	0.17	0.32	0.36	

 Sferaco 90 rue du Ruisseau 38297 St Quentin Fallavier Tél: (33)04.74.94.15.90 Fax: (33)04.74.95.62.08 Internet : www.sferaco.fr E-mail : sferaco@sferaco.fr

SYMETRICAL COUPLINGS ALUMINIUM (2410-2417)
SIZE (in mm) :

- Cap with lock and chain Ref.2417



REF.	DN	20	25	32	40	50	65	80	100	150
2417	Ø A	30	33	42	48	60	75	94	114	205
	Ø B	31	37	41.5	54	68	83	101	121	190
	Ø C	20	24	29	38	50	65	81.5	100	150
	L1	20	30	21	35	43	43	49	53	85
	L2	12	5.7	13	8	12.5	10.5	12	13	20
	Weight (Kg)	0.06	0.06	0.08	0.12	0.24	0.3	0.48	0.69	2.28

STANDARDS :

- Fabrication according to ISO 9001
- Designing according to NF-E 29572
- Threaded BSP according to NF EN ISO 228-1

ADVICE : Our opinion and our advice are not guaranteed and SFERACO shall not be liable for the consequences of damages. The customer must check the right choice of the products with the real service conditions.