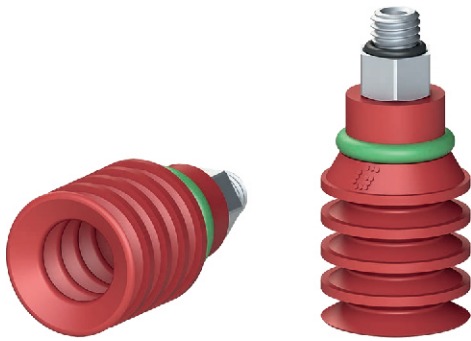


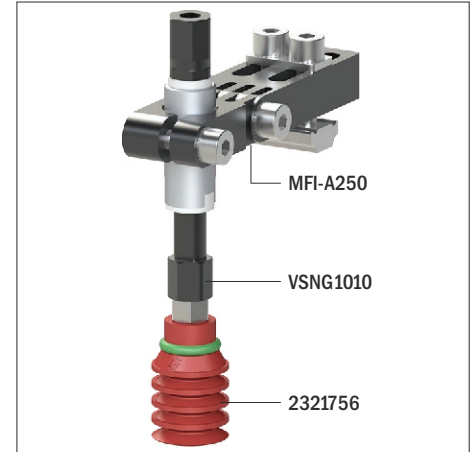
Suction cups / Silicone

VG.FP15S multi-bellows suction cups in silicone

- Ideal for handling packaged snack foods
- Suitable for level compensation
- High vertical movement, useful for separating thin parts



Application example



Technical data

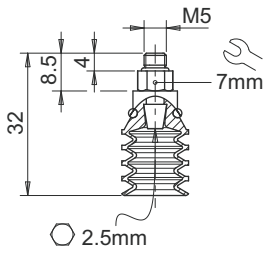
Material	Lifting force [N] perpendicular to the surface, at various vacuum levels			Lifting force [N] parallel to the surface, at various vacuum levels			Volume [cm ³]	Min curve radius [mm]	Max vertical movement [mm]	Suction cup weight [g]
	-20 kPa	-60 kPa	-90 kPa	-20 kPa	-60 kPa	-90 kPa				
SIL 50	0.20	0.23	—	—	—	—	1.05	2	8	0.9

Technical features

Material	Colour	Hardness	Temperature range
Silicone	Red	50 Shore	-70 + +200 °C

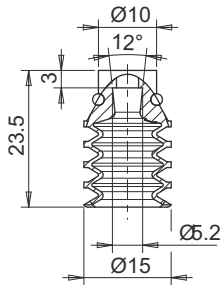
Identification codes			
Drawing	Alphanumeric code	Suction cups with fitting	Order code
A	VG.FP15S.50.M5M	VG.FP15 suction cup, silicone, 50 Shore, M5 male	2321756

A



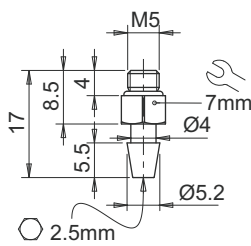
Identification codes			
Drawing	Alphanumeric code	Suction cups	Order code
A	VG.FP15S.50	VG.FP15 suction cup, silicone, 50 Shore	2322052

A



Identification codes			
Drawing	Alphanumeric code	Fittings	Order code
A	FT.M5M	M5 male fitting	1600005

A



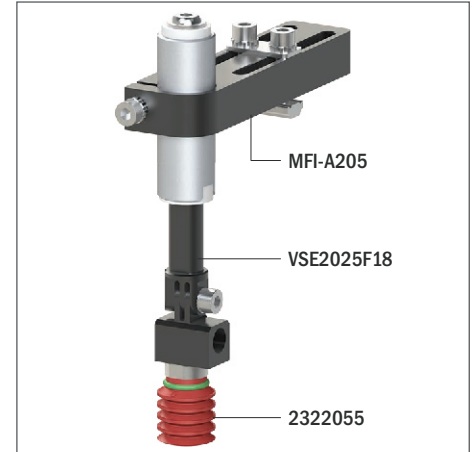
Suction cups / Silicone

VG.FP20S multi-bellows suction cups in silicone

- Ideal for handling packaged snack foods
- Suitable for level compensation
- High vertical movement, useful for separating thin parts
- It can be equipped with a perforated disc to increase stability and to allow the handling of thin films



Application example



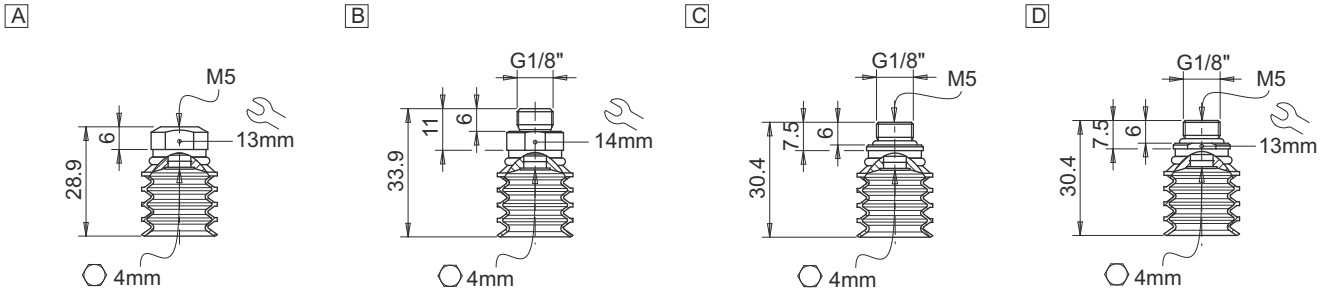
Technical data

Material	Lifting force [N] perpendicular to the surface, at various vacuum levels			Lifting force [N] parallel to the surface, at various vacuum levels			Volume [cm ³]	Min curve radius [mm]	Max vertical movement [mm]	Suction cup weight [g]
	-20 kPa	-60 kPa	-90 kPa	-20 kPa	-60 kPa	-90 kPa				
SIL 50	0.35	0.7	—	—	—	—	4	4	13	3

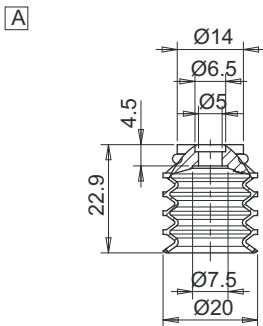
Technical features

Material	Colour	Hardness	Temperature range
Silicone	Red	50 Shore	-70 + +200 °C

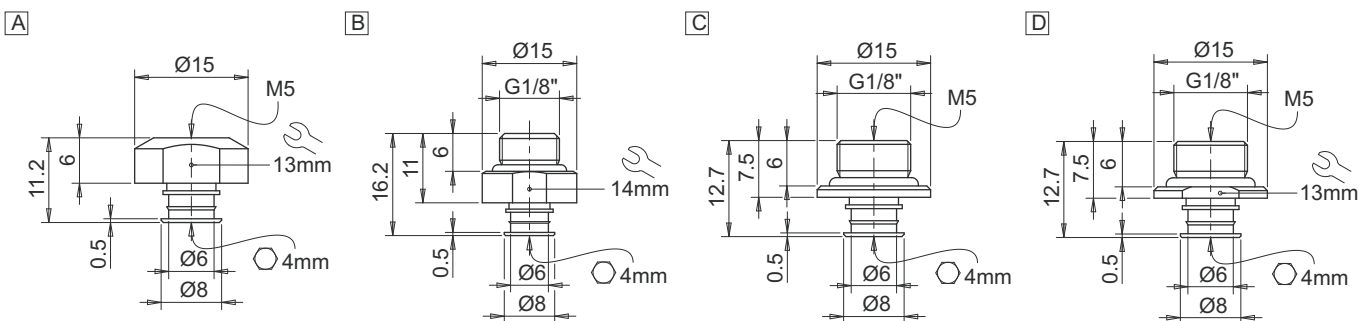
Identification codes			
Drawing	Alphanumeric code	Suction cups with fitting	Order code
A	VG.FP20S.50.M5F	VG.FP20 suction cup, silicone, 50 Shore, M5 female	2322053
B	VG.FP20S.50.G18M	VG.FP20 suction cup, silicone, 50 Shore, G1/8" male	2322055
C	VG.FP20S.50.G18MF	VG.FP20 suction cup, silicone, 50 Shore, G1/8" male/M5 female	2322056
D	VG.FP20S.50.G18MFV	VG.FP20 suction cup, silicone, 50 Shore, G1/8" male/M5 female with valve	2322057



Identification codes			
Drawing	Alphanumeric code	Suction cups	Order code
A	VG.FP20S.50	VG.FP20 suction cup, silicone, 50 Shore	2322054



Identification codes			
Drawing	Alphanumeric code	Fittings	Order code
A	FT.M5F	Fitting, M5 Female	1700006
B	FT.G18M.17	G1/8" Male fitting	1700018
C	FT.G18M.M5F	Fitting, G1/8" Male/ M5 Female	1700016
D	FT.G18M.M5F.VF	G1/8" Male / M5 Female fitting, with valve	1700017

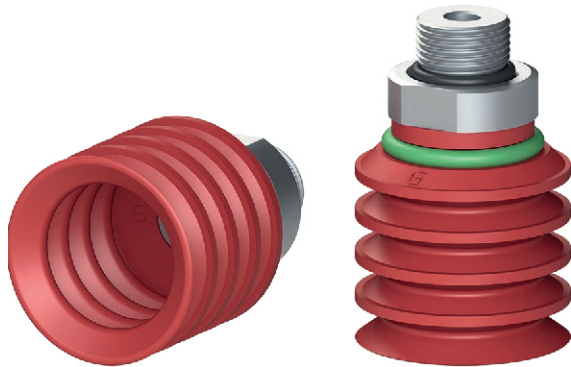


Identification codes		
Alphanumeric code	Disc	Order code
AC.DF20	Perforated disc for thin films, diameter 20 mm	2321780

Suction cups / Silicone

VG.FP30S multi-bellows suction cups in silicone

- Ideal for handling packaged snack foods
- Suitable for level compensation
- High vertical movement, useful for separating thin parts
- It can be equipped with a perforated disc to increase stability and to allow the handling of thin films



Application example



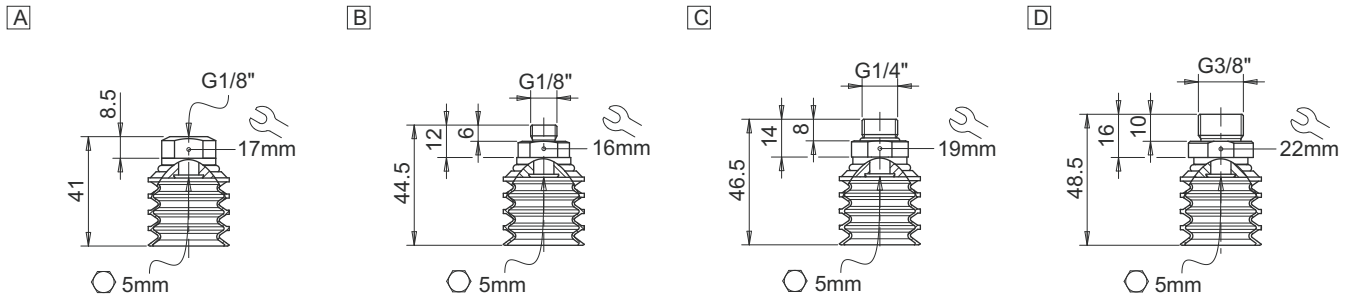
Technical data

Material	Lifting force [N] perpendicular to the surface, at various vacuum levels			Lifting force [N] parallel to the surface, at various vacuum levels			Volume [cm ³]	Min curve radius [mm]	Max vertical movement [mm]	Suction cup weight [g]
	-20 kPa	-60 kPa	-90 kPa	-20 kPa	-60 kPa	-90 kPa				
SIL 50	6.5	10.3	—	—	—	—	10	8	20	7

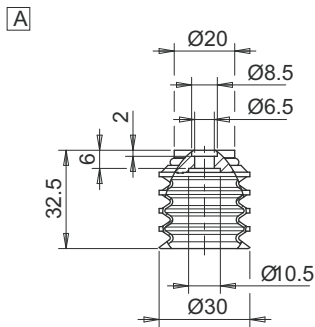
Technical features

Material	Colour	Hardness	Temperature range
Silicone	Red	50 Shore	-70 + +200 °C

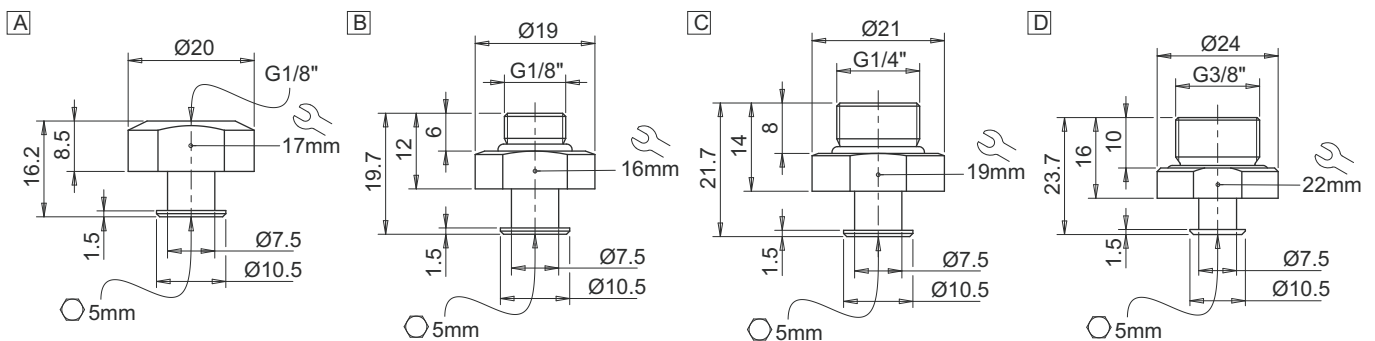
Identification codes			
Drawing	Alphanumeric code	Suction cups with fitting	Order code
A	VG.FP30S.50.G18F	VG.FP30 suction cup, silicone, 50 Shore, G1/8" female	2322058
B	VG.FP30S.50.G18M	VG.FP30 suction cup, silicone, 50 Shore, G1/8" male	2322060
C	VG.FP30S.50.G14M	VG.FP30 suction cup, silicone, 50 Shore, G1/4" male	2322061
D	VG.FP30S.50.G38M	VG.FP30 suction cup, silicone, 50 Shore, G3/8" male	2322062



Identification codes			
Drawing	Alphanumeric code	Suction cups	Order code
A	VG.FP30S.50	VG.FP30 suction cup, silicone, 50 Shore	2322059



Identification codes			
Drawing	Alphanumeric code	Fittings	Order code
A	FT.G18F.18	G1/8" female fitting	1800019
B	FT.G18M.18	G1/8" male fitting	1800018
C	FT.G14M.18	G1/4" male fitting	1800014
D	FT.G38M.18	G3/8" male fitting	1800038

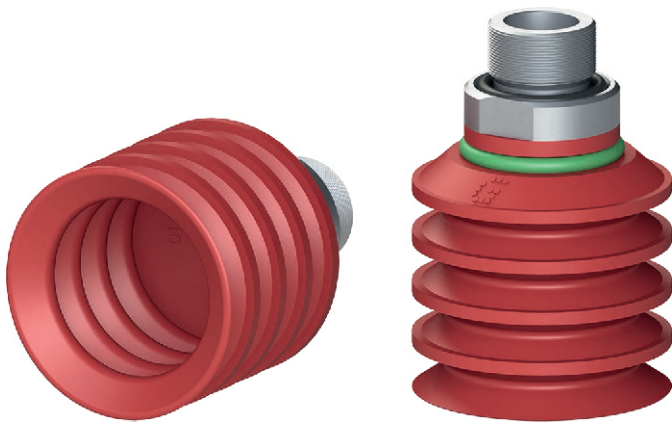


Identification codes		
Alphanumeric code	Disc	Order code
AC.DF30	Perforated disc for thin films, diameter 30 mm	2321781

Suction cups / Silicone

VG.FP40S multi-bellows suction cups in silicone

- Ideal for handling packaged snack foods
- Suitable for level compensation
- High vertical movement, useful for separating thin parts
- It can be equipped with a perforated disc to increase stability and to allow the handling of thin films



Application example

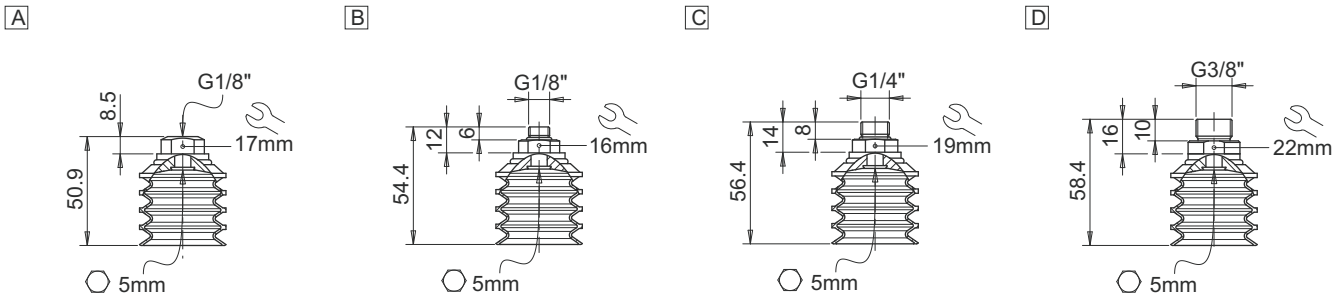


Technical data										
Material	Lifting force [N] perpendicular to the surface, at various vacuum levels			Lifting force [N] parallel to the surface, at various vacuum levels			Volume [cm ³]	Min curve radius [mm]	Max vertical movement [mm]	Suction cup weight [g]
	-20 kPa	-60 kPa	-90 kPa	-20 kPa	-60 kPa	-90 kPa				
SIL 50	10.8	31.5	—	—	—	—	27	11	33	10

Technical features			
Material	Colour	Hardness	Temperature range
Silicone	Red	50 Shore	-70 + +200 °C

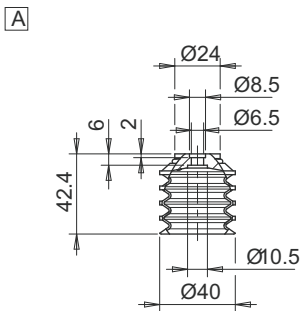
Identification codes

Drawing	Alphanumeric code	Suction cups with fitting	Order code
A	VG.FP40S.50.G18F	VG.FP40 suction cup, silicone, 50 Shore, G1/8" female	2322063
B	VG.FP40S.50.G18M	VG.FP40 suction cup, silicone, 50 Shore, G1/8" male	2322065
C	VG.FP40S.50.G14M	VG.FP40 suction cup, silicone, 50 Shore, G1/4" male	2322066
D	VG.FP40S.50.G38M	VG.FP40 suction cup, silicone, 50 Shore, G3/8" male	2322067



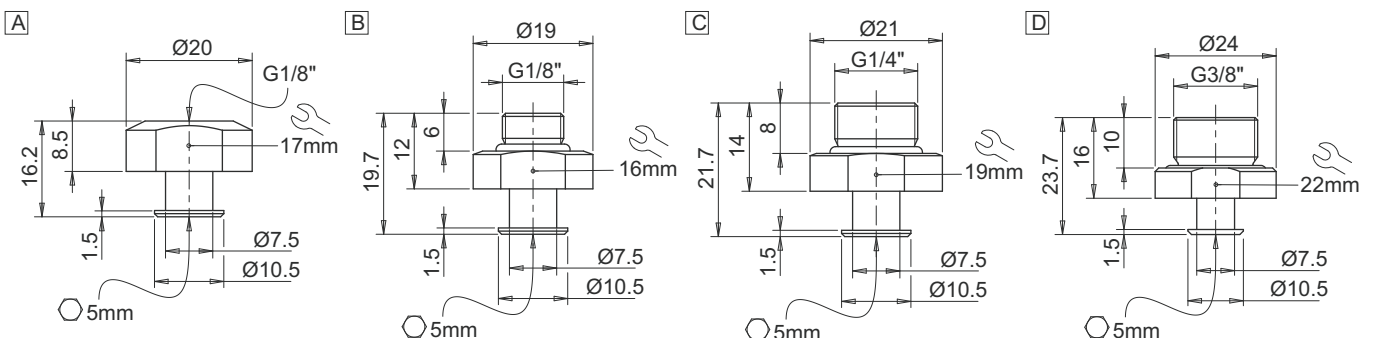
Identification codes

Drawing	Alphanumeric code	Suction cups	Order code
A	VG.FP40S.50	VG.FP40 suction cup, silicone, 50 Shore	2322064



Identification codes

Drawing	Alphanumeric code	Fittings	Order code
A	FT.G18F.18	G1/8" female fitting	1800019
B	FT.G18M.18	G1/8" male fitting	1800018
C	FT.G14M.18	G1/4" male fitting	1800014
D	FT.G38M.18	G3/8" male fitting	1800038



Identification codes

Alphanumeric code	Disc	Order code
AC.DF40	Perforated disc for thin films, diameter 40 mm	2321755