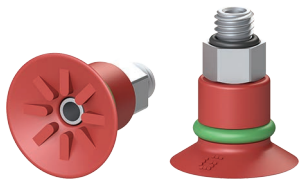
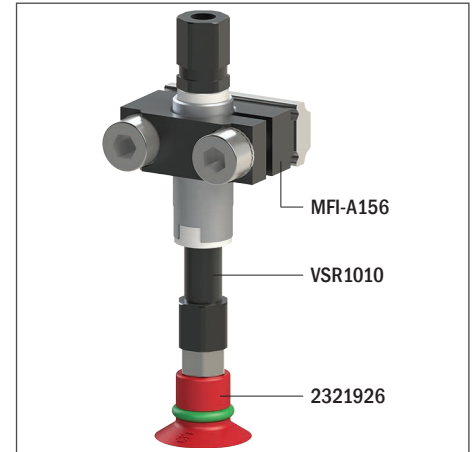


## VG.CF16 flat suction cups, silicone, with reinforcements

- Ideal for handling plastic parts, dry sheet metal and cardboard
- Suitable for items with flat surfaces
- Suitable for handling items with lifting force parallel to the surface thanks to the reinforcements that increase friction and prevent deformations
- The silicone version enables to work at high and low temperatures

Application example



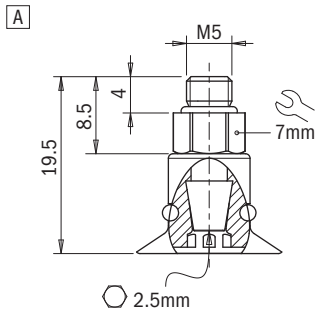
### Technical data

Material	Lifting force [N] perpendicular to the surface, at various vacuum levels			Lifting force [N] parallel to the surface, at various vacuum levels			Volume [cm <sup>3</sup> ]	Min curve radius [mm]	Max vertical movement [mm]	Suction cup weight [g]
	-20 kPa	-60 kPa	-90 kPa	-20 kPa	-60 kPa	-90 kPa				
SIL 50	3.3	8.7	10.1	3.2	6.5	7.6	0.37	13	1	0.7

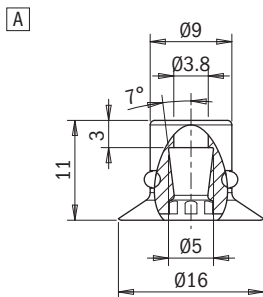
### Technical features

Material	Colour	Hardness	Temperature range
Silicone	Red	50 Shore	-70 ÷ +200 °C

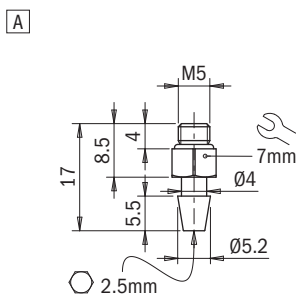
Identification codes			
Drawing	Alphanumeric code	Suction cups with fitting	Order code
A	VG.CF16S.50.M5M	VG.CF16 suction cup, silicone, 50 shore, M5 male	2321926



Identification codes			
Drawing	Alphanumeric code	Suction cups	Order code
A	VG.CF16S.50	VG.CF16 suction cup, silicone, 50 Shore	2321927



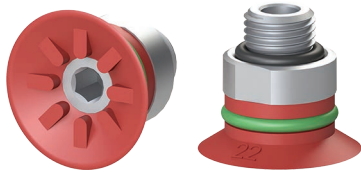
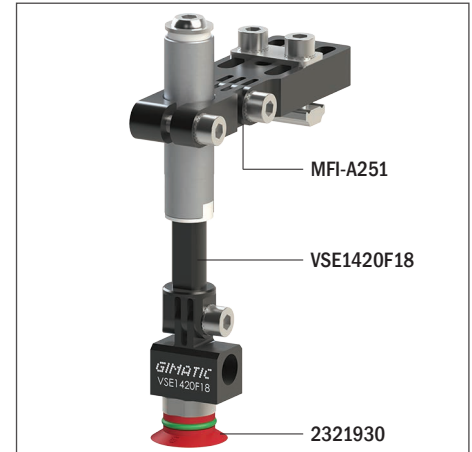
Identification codes			
Drawing	Alphanumeric code	Fittings	Order code
A	FT.M5M	M5 male fitting	1600005



## VG.CF22 flat suction cups, silicone, with reinforcements

- Ideal for handling plastic parts, dry sheet metal and cardboard
- Suitable for items with flat surfaces
- Suitable for handling items with lifting force parallel to the surface thanks to the reinforcements that increase friction and prevent deformations
- The silicone version enables to work at high and low temperatures

Application example



### Technical data

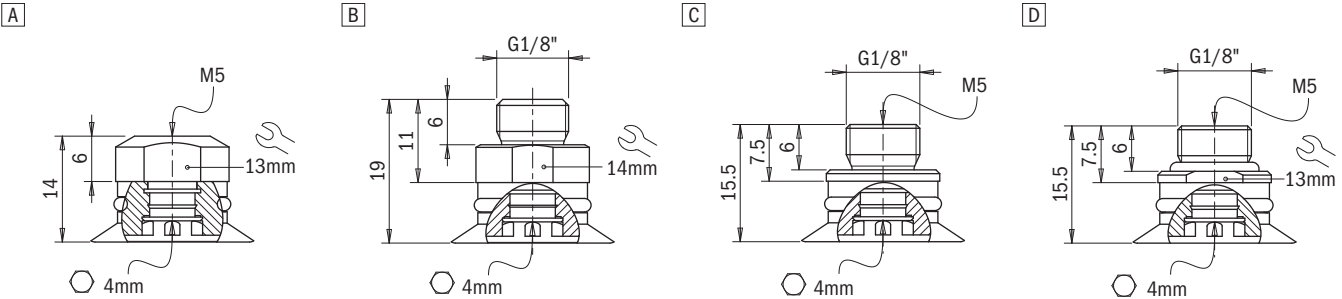
Material	Lifting force [N] perpendicular to the surface, at various vacuum levels			Lifting force [N] parallel to the surface, at various vacuum levels			Volume [cm <sup>3</sup> ]	Min curve radius [mm]	Max vertical movement [mm]	Suction cup weight [g]
	-20 kPa	-60 kPa	-90 kPa	-20 kPa	-60 kPa	-90 kPa				
SIL 50	6.1	13.7	18.7	5.1	8.2	8.5	1	18	1.5	1.1

### Technical features

Material	Colour	Hardness	Temperature range
Silicone	Red	50 Shore	-70 ÷ +200 °C

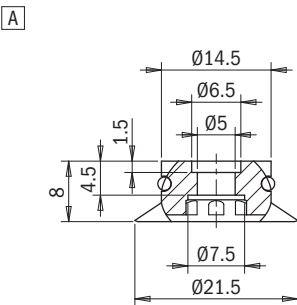
### Identification codes

Drawing	Alphanumeric code	Suction cups with fitting	Order code
A	VG.CF22S.50.M5F	VG.CF22 suction cup, silicone, 50 shore, M5 female	2321928
B	VG.CF22S.50.G18M	VG.CF22 suction cup, silicone, 50 Shore, G1/8" male	2321930
C	VG.CF22S.50.G18MF	VG.CF22 suction cup, silicone, 50 Shore, G1/8" male/M5 female	2321931
D	VG.CF22S.50.G18MFV	VG.CF22 suction cup, silicone, 50 Shore, G1/8" male/M5 female with valve	2321932



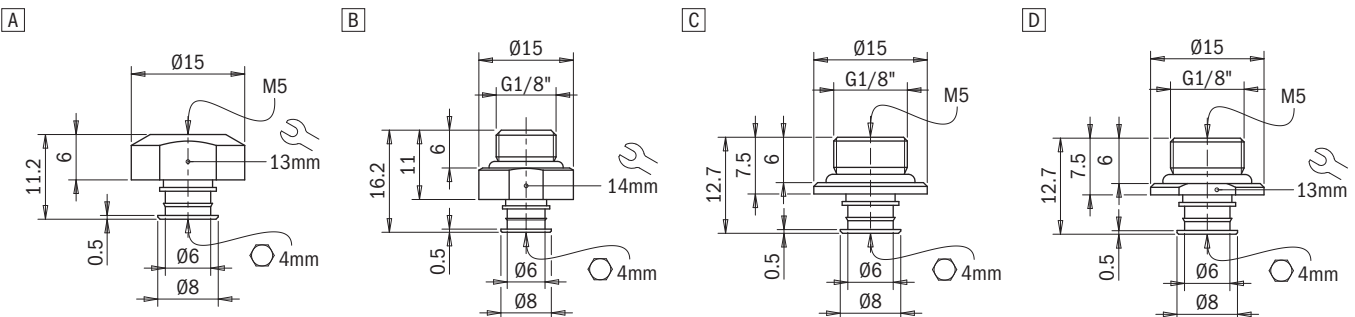
### Identification codes

Drawing	Alphanumeric code	Suction cups	Order code
A	VG.CF22S.50	VG.CF22 suction cup, silicone, 50 Shore	2321929



### Identification codes

Drawing	Alphanumeric code	Fittings	Order code
A	FT.M5F	Fitting, M5 Female	1700006
B	FT.G18M.17	G1/8" Male fitting	1700018
C	FT.G18M.M5F	Fitting, G1/8" Male/ M5 Female	1700016
D	FT.G18M.M5F.VF	G1/8" male / M5 Female fitting, with valve	1700017



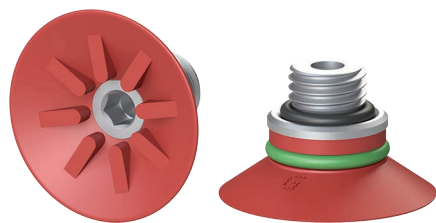
## VG.CF27 flat suction cups, silicone, with reinforcements

- Ideal for handling plastic parts, dry sheet metal and cardboard
- Suitable for items with flat surfaces
- Suitable for handling items with lifting force parallel to the surface thanks to the reinforcements that increase friction and prevent deformations
- The silicone version enables to work at high and low temperatures

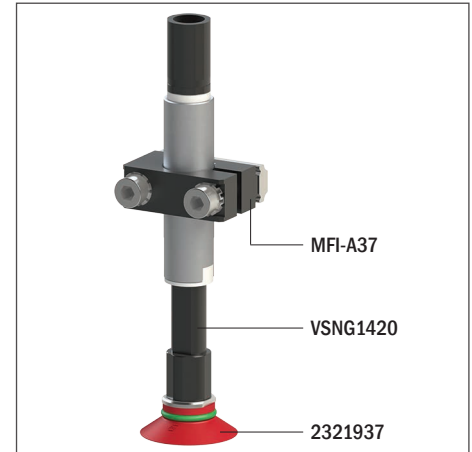
Introduction

Vacuum theory

Suction cups



Application example



Vacuum pumps

Customised solutions

Suspensions

System accessories

### Technical data

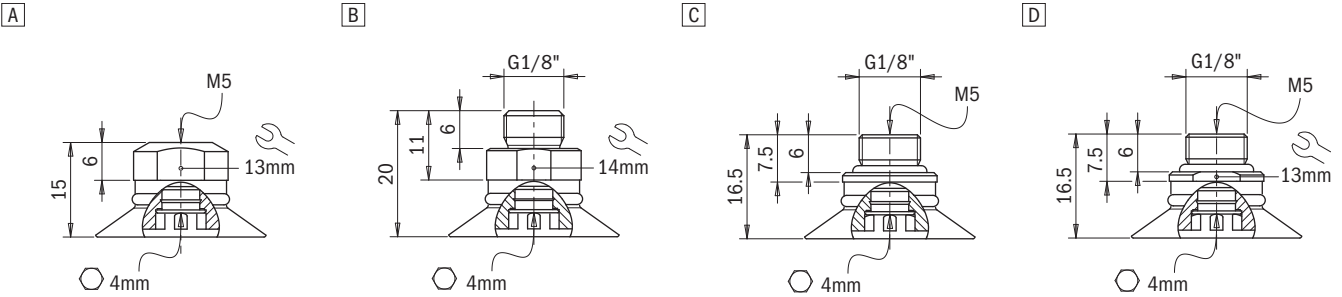
Material	Lifting force [N] perpendicular to the surface, at various vacuum levels			Lifting force [N] parallel to the surface, at various vacuum levels			Volume [cm <sup>3</sup> ]	Min curve radius [mm]	Max vertical movement [mm]	Suction cup weight [g]
	-20 kPa	-60 kPa	-90 kPa	-20 kPa	-60 kPa	-90 kPa				
SIL 50	8.9	21.6	29.1	8.3	9.3	10.2	1.1	22	1.5	1.5

### Technical features

Material	Colour	Hardness	Temperature range
Silicone	Red	50 Shore	-70 ÷ +200 °C

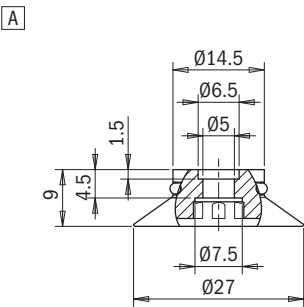
### Identification codes

Drawing	Alphanumeric code	Suction cups with fitting	Order code
A	VG.CF27S.50.M5F	VG.CF27 suction cup, silicone, 50 Shore, M5 female	2321933
B	VG.CF27S.50.G18M	VG.CF27 suction cup, silicone, 50 Shore, G1/8" male	2321935
C	VG.CF27S.50.G18MF	VG.CF27 suction cup, silicone, 50 Shore, G1/8" male/M5 female	2321936
D	VG.CF27S.50.G18MFV	VG.CF27 suction cup, silicone, 50 Shore, G1/8" male/M5 female with valve	2321937



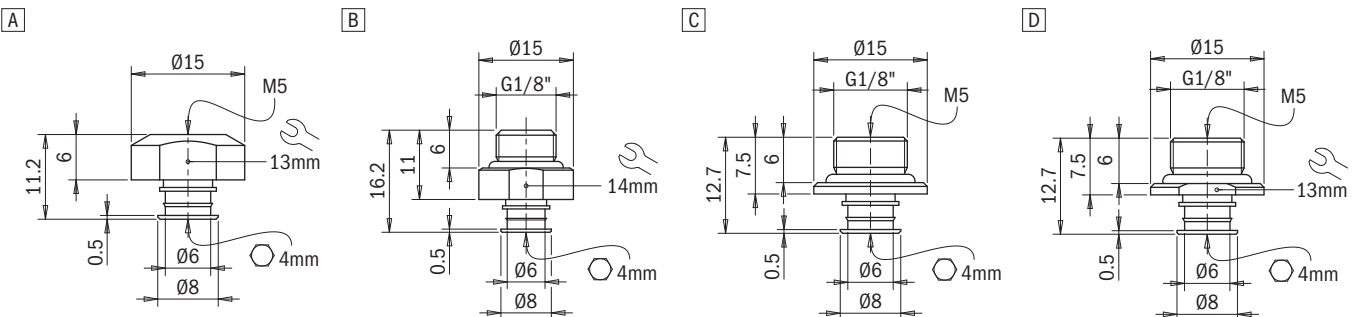
### Identification codes

Drawing	Alphanumeric code	Suction cups	Order code
A	VG.CF27S.50	VG.CF27 suction cup, silicone, 50 Shore	2321934



### Identification codes

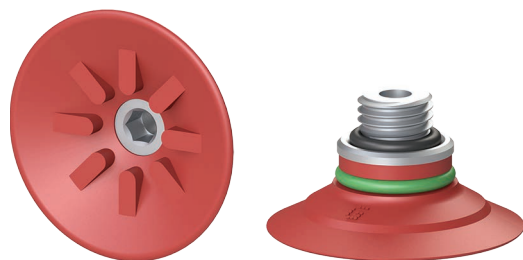
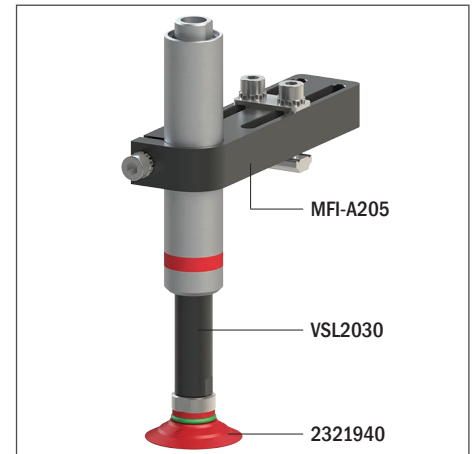
Drawing	Alphanumeric code	Fittings	Order code
A	FT.M5F	Fitting, M5 female	1700006
B	FT.G18M.17	G1/8" male fitting	1700018
C	FT.G18M.M5F	Fitting, G1/8" Male/ M5 female	1700016
D	FT.G18M.M5F.VF	G1/8" male / M5 female fitting, with valve	1700017



## VG.CF33 flat suction cups, silicone, with reinforcements

- Ideal for handling plastic parts, dry sheet metal and cardboard
- Suitable for items with flat surfaces
- Suitable for handling items with lifting force parallel to the surface thanks to the reinforcements that increase friction and prevent deformations
- The silicone version enables to work at high and low temperatures

Application example



### Technical data

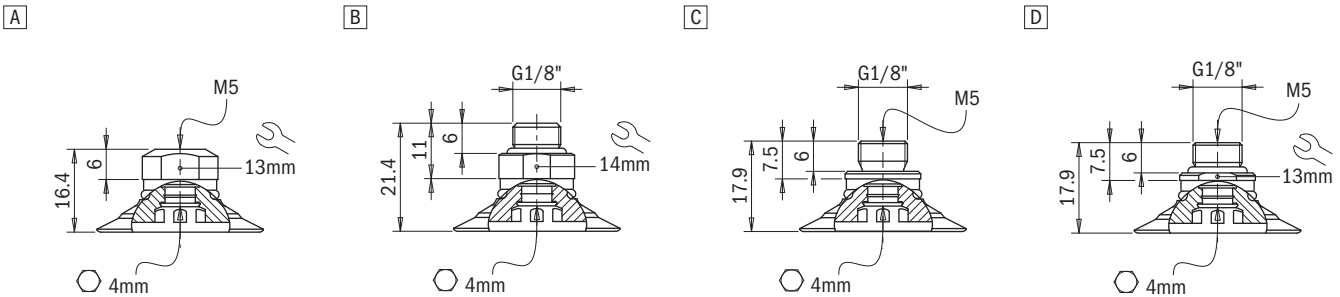
Material	Lifting force [N] perpendicular to the surface, at various vacuum levels			Lifting force [N] parallel to the surface, at various vacuum levels			Volume [cm <sup>3</sup> ]	Min curve radius [mm]	Max vertical movement [mm]	Suction cup weight [g]
	-20 kPa	-60 kPa	-90 kPa	-20 kPa	-60 kPa	-90 kPa				
SIL 50	12.4	32.3	41.5	11	16.2	20.8	2	25	2	2.1

### Technical features

Material	Colour	Hardness	Temperature range
Silicone	Red	50 Shore	-70 ÷ +200 °C

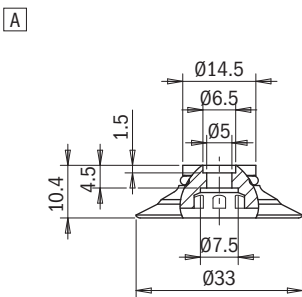
### Identification codes

Drawing	Alphanumeric code	Suction cups with fitting	Order code
A	VG.CF33S.50.M5F	VG.CF33 suction cup, silicone, 50 Shore, M5 female	2321938
B	VG.CF33S.50.G18M	VG.CF33 suction cup, silicone, 50 Shore, G1/8" male	2321940
C	VG.CF33S.50.G18MF	VG.CF33 suction cup, silicone, 50 Shore, G1/8" male/M5 female	2321941
D	VG.CF33S.50.G18MFV	VG.CF33 suction cup, silicone, 50 Shore, G1/8" male/M5 female with valve	2321942



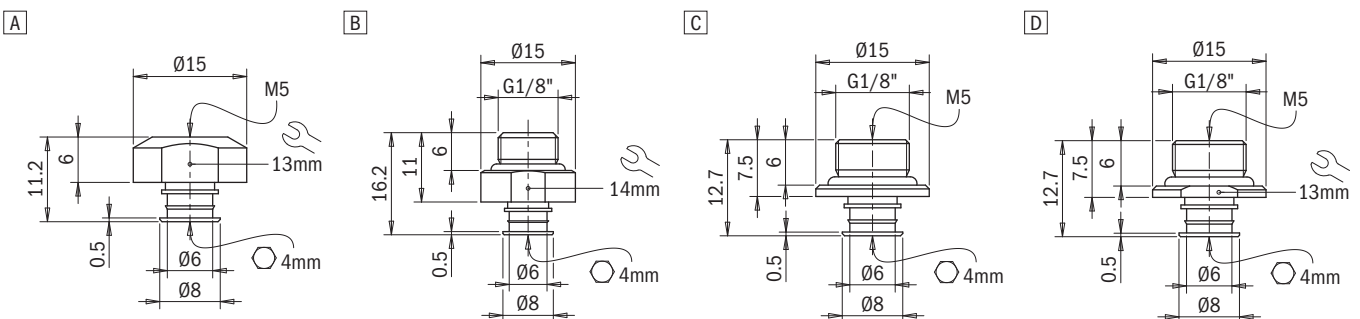
### Identification codes

Drawing	Alphanumeric code	Suction cups	Order code
A	VG.CF33S.50	VG.CF33 suction cup, silicone, 50 Shore	2321939



### Identification codes

Drawing	Alphanumeric code	Fittings	Order code
A	FT.M5F	Fitting, M5 female	1700006
B	FT.G18M.17	G1/8" male fitting	1700018
C	FT.G18M.M5F	G1/8" male / M5 female fitting	1700016
D	FT.G18M.M5F.VF	G1/8" male / M5 female fitting, with valve	1700017

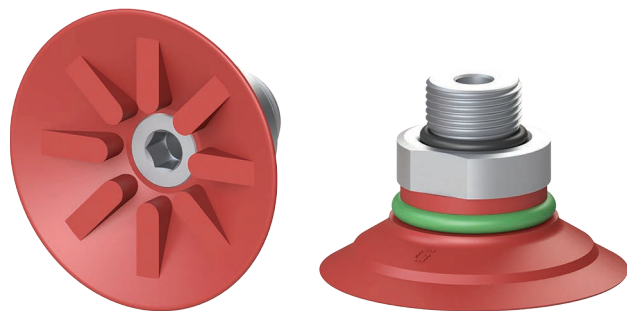
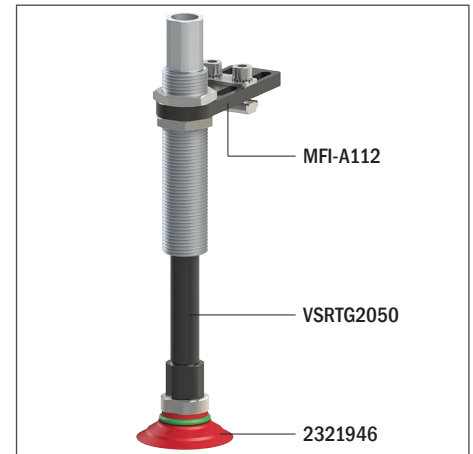




## VG.CF42 flat suction cups, silicone, with reinforcements

- Ideal for handling plastic parts, dry sheet metal and cardboard
- Suitable for items with flat surfaces
- Suitable for handling items with lifting force parallel to the surface thanks to the reinforcements that increase friction and prevent deformations
- The silicone version enables to work at high and low temperatures

Application example



### Technical data

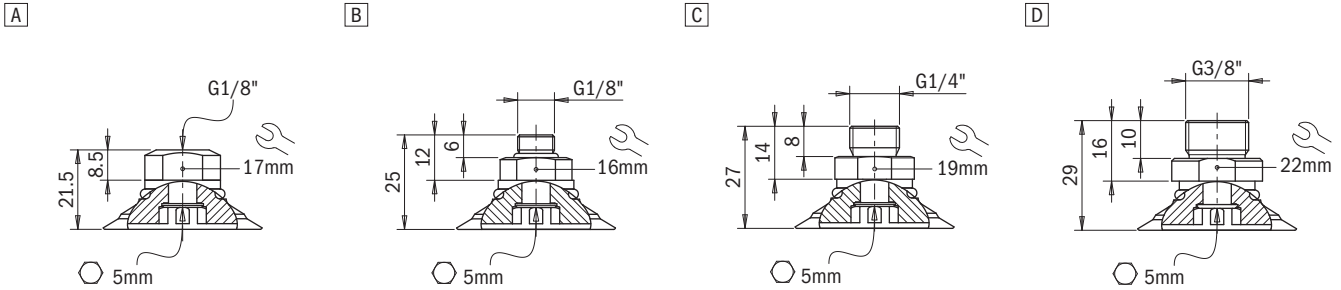
Material	Lifting force [N] perpendicular to the surface, at various vacuum levels			Lifting force [N] parallel to the surface, at various vacuum levels			Volume [cm <sup>3</sup> ]	Min curve radius [mm]	Max vertical movement [mm]	Suction cup weight [g]
	-20 kPa	-60 kPa	-90 kPa	-20 kPa	-60 kPa	-90 kPa				
SIL 50	21.8	52	68	15	24.5	31	4.8	52	1.8	5.2

### Technical features

Material	Colour	Hardness	Temperature range
Silicone	Red	50 Shore	-70 ÷ +200 °C

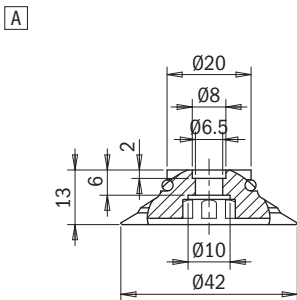
### Identification codes

Drawing	Alphanumeric code	Suction cups with fitting	Order code
A	VG.CF42S.50.G18F	VG.CF42 suction cup, silicone, 50 Shore, G1/8" female	2321943
B	VG.CF42S.50.G18M	VG.CF42 suction cup, silicone, 50 Shore, G1/8" male	2321945
C	VG.CF42S.50.G14M	VG.CF42 suction cup, silicone, 50 Shore, G1/4" male	2321946
D	VG.CF42S.50.G38M	VG.CF42 suction cup, silicone, 50 Shore, G3/8" male	2321947



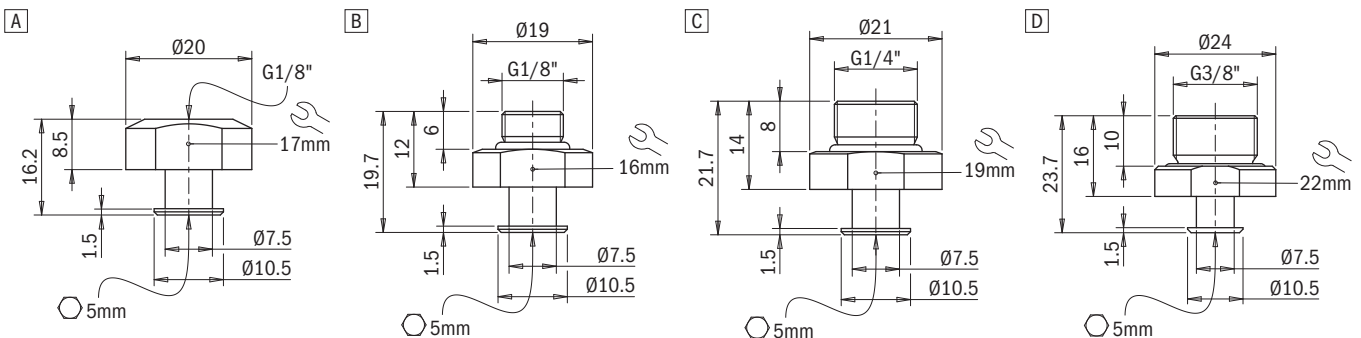
### Identification codes

Drawing	Alphanumeric code	Suction cups	Order code
A	VG.CF42S.50	VG.CF42 suction cup, silicone, 50 Shore	2321944



### Identification codes

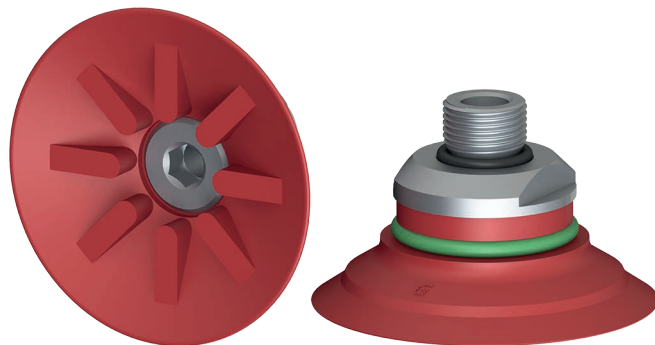
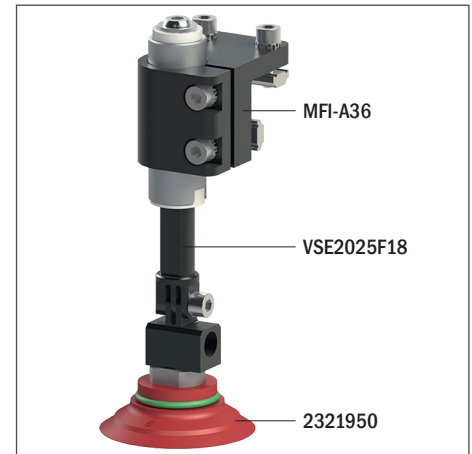
Drawing	Alphanumeric code	Fittings	Order code
A	FT.G18F.18	G1/8" female fitting	1800019
B	FT.G18M.18	G1/8" male fitting	1800018
C	FT.G14M.18	G1/4" male fitting	1800014
D	FT.G38M.18	G3/8" male fitting	1800038



## VG.CF53 flat suction cups, silicone, with reinforcements

- Ideal for handling plastic parts, dry sheet metal and cardboard
- Suitable for items with flat surfaces
- Suitable for handling items with lifting force parallel to the surface thanks to the reinforcements that increase friction and prevent deformations
- The silicone version enables to work at high and low temperatures

Application example



### Technical data

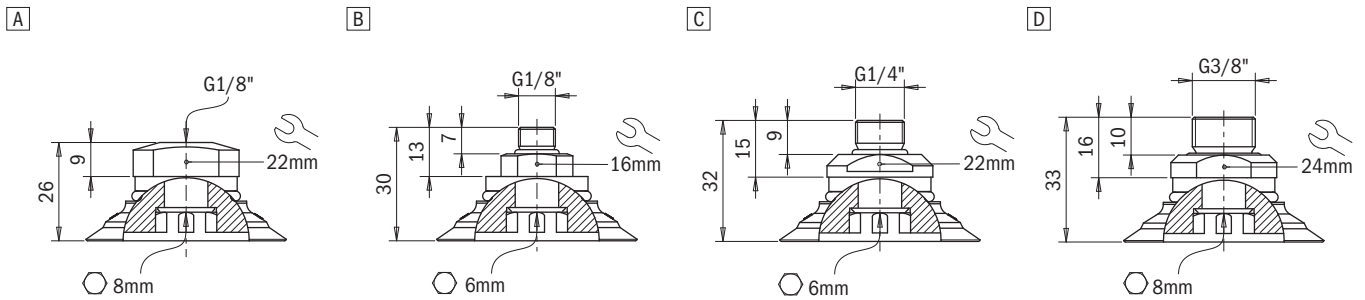
Material	Lifting force [N] perpendicular to the surface, at various vacuum levels			Lifting force [N] parallel to the surface, at various vacuum levels			Volume [cm <sup>3</sup> ]	Min curve radius [mm]	Max vertical movement [mm]	Suction cup weight [g]
	-20 kPa	-60 kPa	-90 kPa	-20 kPa	-60 kPa	-90 kPa				
SIL 50	36.7	72	98	25	42	49	10	55	2.2	10.8

### Technical features

Material	Colour	Hardness	Temperature range
Silicone	Red	50 Shore	-70 ÷ +200 °C

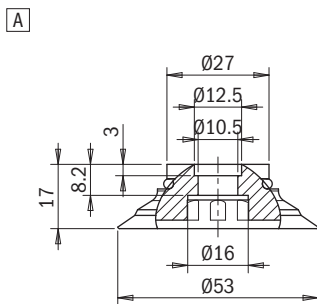
### Identification codes

Drawing	Alphanumeric code	Suction cups with fitting	Order code
A	VG.CF53S.50.G18F	VG.CF53 suction cup, silicone, 50 Shore, G1/8" female	2321948
B	VG.CF53S.50.G18M	VG.CF53 suction cup, silicone, 50 Shore, G1/8" male	2321950
C	VG.CF53S.50.G14M	VG.CF53 suction cup, silicone, 50 Shore, G1/4" male	2321951
D	VG.CF53S.50.G38M	VG.CF53 suction cup, silicone, 50 Shore, G3/8" male	2321952



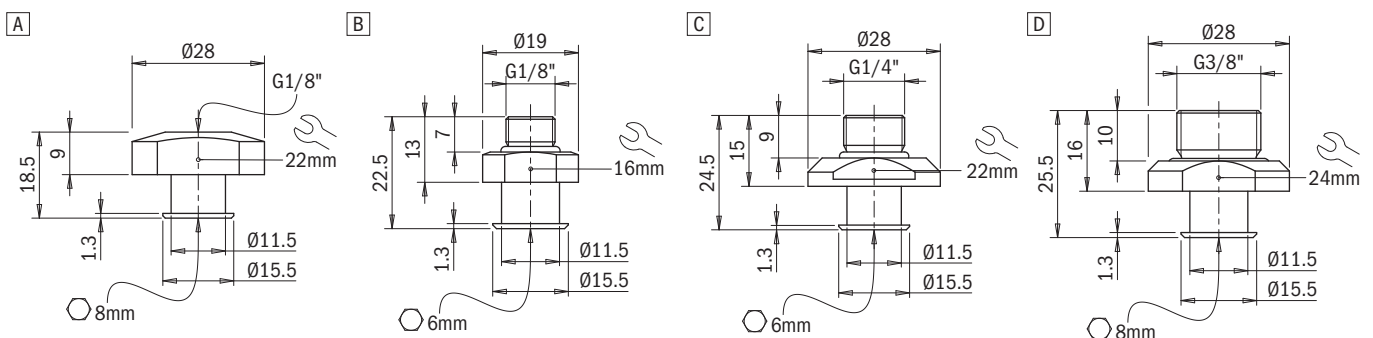
### Identification codes

Drawing	Alphanumeric code	Suction cups	Order code
A	VG.CF53S.50	VG.CF53 suction cup, silicone, 50 Shore	2321949



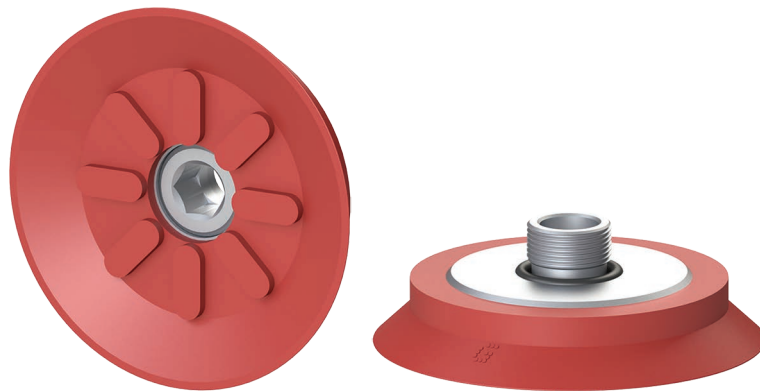
### Identification codes

Drawing	Alphanumeric code	Fittings	Order code
A	FT.G18F.19	G1/8" female fitting	1900019
B	FT.G18M.19	G1/8" male fitting	1900018
C	FT.G14M.19	G1/4" male fitting	1900014
D	FT.G38M.198	G3/8" male fitting	1900038

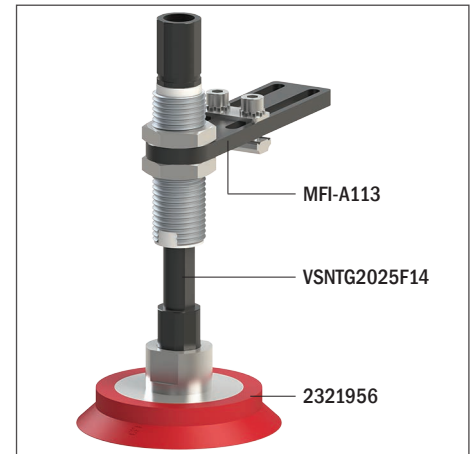


## VG.CF77 flat suction cups, silicone, with reinforcements

- Ideal for handling plastic parts, dry sheet metal and cardboard
- Suitable for items with flat surfaces
- Suitable for handling items with lifting force parallel to the surface thanks to the reinforcements that increase friction and prevent deformations
- The silicone version enables to work at high and low temperatures



Application example



### Technical data

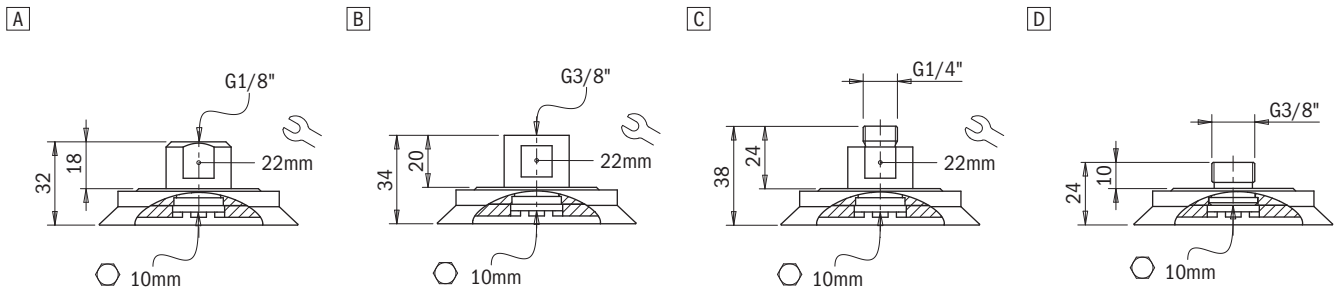
Material	Lifting force [N] perpendicular to the surface, at various vacuum levels			Lifting force [N] parallel to the surface, at various vacuum levels			Volume [cm <sup>3</sup> ]	Min curve radius [mm]	Max vertical movement [mm]	Suction cup weight [g]
	-20 kPa	-60 kPa	-90 kPa	-20 kPa	-60 kPa	-90 kPa				
SIL 50	90	215	290	60	118	145	20	150	3	31.3

### Technical features

Material	Colour	Hardness	Temperature range
Silicone	Red	50 Shore	-70 ÷ +200 °C

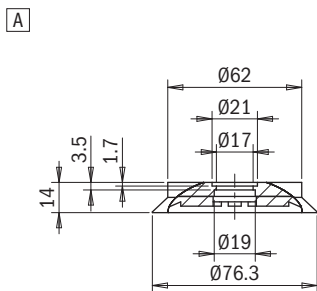
### Identification codes

Drawing	Alphanumeric code	Suction cups with fitting	Order code
A	VG.CF77S.50.G18F	VG.CF77 suction cup, silicone, 50 Shore, G1/8" female	2321953
B	VG.CF77S.50.G38F	VG.CF77 suction cup, silicone, 50 Shore, G3/8" female	2321955
C	VG.CF77S.50.G14M	VG.CF77 suction cup, silicone, 50 Shore, G1/4" male	2321956
D	VG.CF77S.50.G38M	VG.CF77 suction cup, silicone, 50 Shore, G3/8" male	2321957



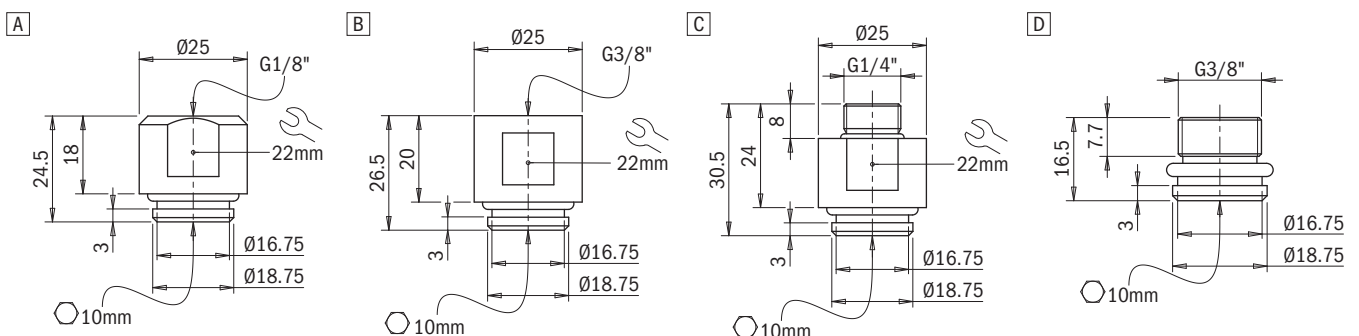
### Identification codes

Drawing	Alphanumeric code	Suction cups	Order code
A	VG.CF77S.50	VG.CF77 suction cup, silicone, 50 Shore	2321954



### Identification codes

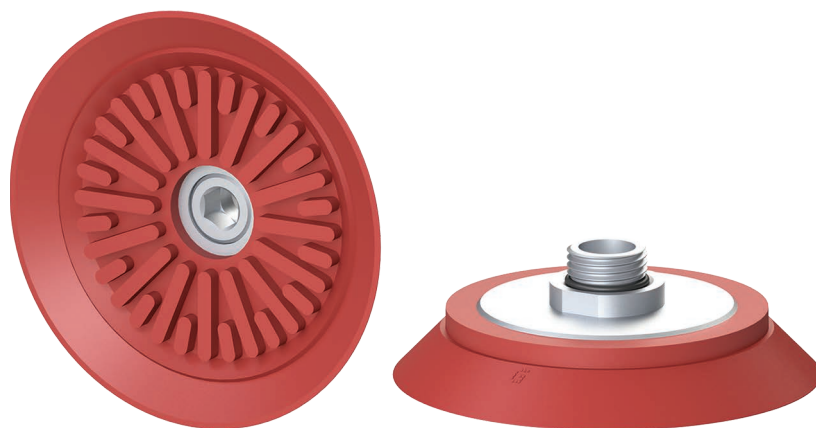
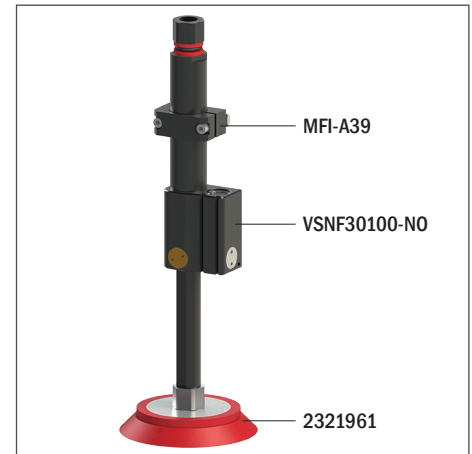
Drawing	Alphanumeric code	Fittings	Order code
A	FT.G18F.16	G1/8" female fitting	1600008
B	FT.G38F	G3/8" female fitting	1600009
C	FT.G14M.16	G1/4" male fitting	1600010
D	FT.G38M.199	G3/8" male fitting	1900039



## VG.CF112 flat suction cups, silicone, with reinforcements

- Ideal for handling plastic parts, dry sheet metal and cardboard
- Suitable for items with flat surfaces
- Suitable for handling items with lifting force parallel to the surface thanks to the reinforcements that increase friction and prevent deformations
- The silicone version enables to work at high and low temperatures

Application example



### Technical data

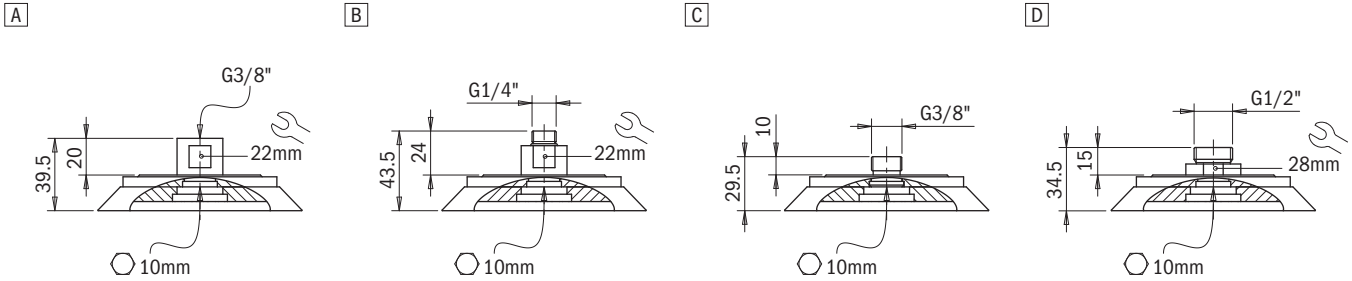
Material	Lifting force [N] perpendicular to the surface, at various vacuum levels			Lifting force [N] parallel to the surface, at various vacuum levels			Volume [cm <sup>3</sup> ]	Min curve radius [mm]	Max vertical movement [mm]	Suction cup weight [g]
	-20 kPa	-60 kPa	-90 kPa	-20 kPa	-60 kPa	-90 kPa				
SIL 50	160	465	570	145	259	310	70	250	4	80.2

### Technical features

Material	Colour	Hardness	Temperature range
Silicone	Red	50 Shore	-70 ÷ +200 °C

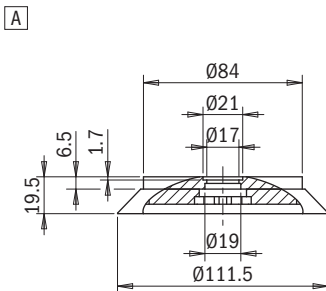
### Identification codes

Drawing	Alphanumeric code	Suction cups with fitting	Order code
A	VG.CF112S.50.G38F	VG.CF112 suction cup, silicone, 50 Shore, G3/8" female	2321958
B	VG.CF112S.50.G14M	VG.CF112 suction cup, silicone, 50 Shore, G1/4" male	2321960
C	VG.CF112S.50.G38M	VG.CF112 suction cup, silicone, 50 Shore, G3/8" male	2321961
D	VG.CF112S.50.G12M	VG.CF112 suction cup, silicone, 50 Shore, G1/2" male	2321962



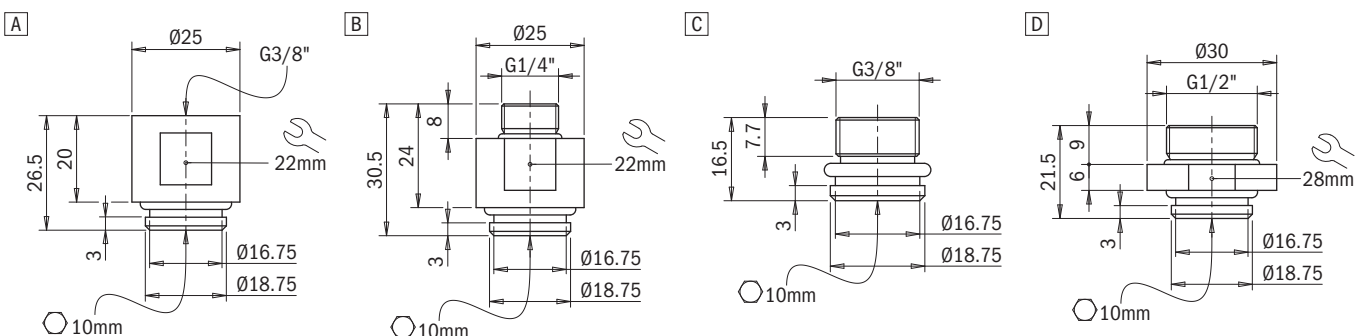
### Identification codes

Drawing	Alphanumeric code	Suction cups	Order code
A	VG.CF112S.50	VG.CF112 suction cup, silicone, 50 Shore	2321959



### Identification codes

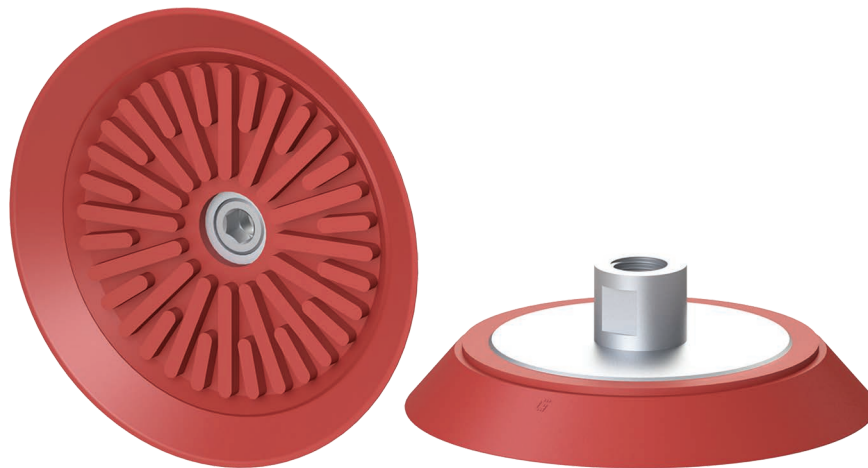
Drawing	Alphanumeric code	Fittings	Order code
A	FT.G38F	G3/8" female fitting	1600009
B	FT.G14M.16	G1/4" male fitting	1600010
C	FT.G38M.199	G3/8" male fitting	1900039
D	FT.G12M.16	G1/2" male fitting	1600015





## VG.CF152 flat suction cups, silicone, with reinforcements

- Ideal for handling plastic parts, dry sheet metal and cardboard
- Suitable for items with flat surfaces
- Suitable for handling items with lifting force parallel to the surface thanks to the reinforcements that increase friction and prevent deformations
- The silicone version enables to work at high and low temperatures



Application example



### Technical data

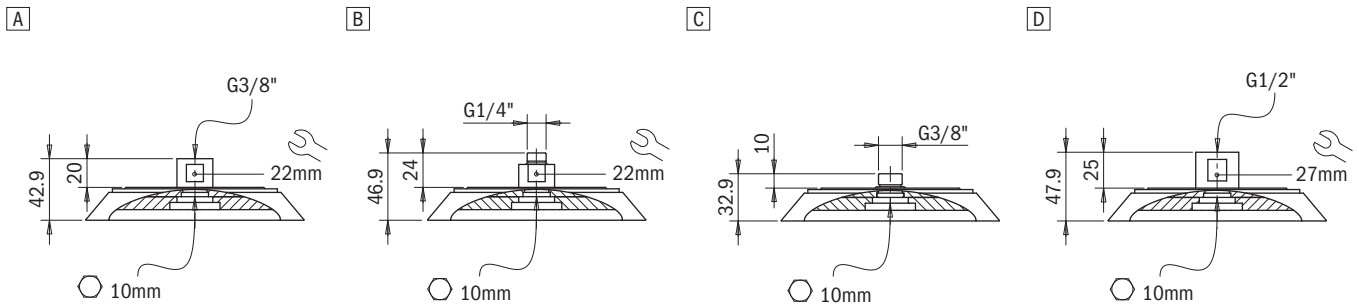
Material	Lifting force [N] perpendicular to the surface, at various vacuum levels			Lifting force [N] parallel to the surface, at various vacuum levels			Volume [cm <sup>3</sup> ]	Min curve radius [mm]	Max vertical movement [mm]	Suction cup weight [g]
	-20 kPa	-60 kPa	-90 kPa	-20 kPa	-60 kPa	-90 kPa				
SIL 50	310	900	1195	245	620	815	160	500	6	178

### Technical features

Material	Colour	Hardness	Temperature range
Silicone	Red	50 Shore	-70 ÷ +200 °C

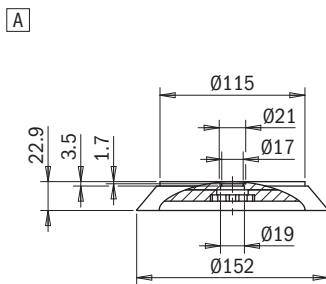
### Identification codes

Drawing	Alphanumeric code	Suction cups with fitting	Order code
A	VG.CF152S.50.G38F	VG.CF152 suction cup, silicone, 50 Shore, G3/8" female	2321963
B	VG.CF152S.50.G14M	VG.CF152 suction cup, silicone, 50 Shore, G1/4" male	2321965
C	VG.CF152S.50.G38M	VG.CF152 suction cup, silicone, 50 Shore, G3/8" male	2321966
D	VG.CF152S.50.G12F	VG.CF152 suction cup, silicone, 50 Shore, G1/2" female	2321967



### Identification codes

Drawing	Alphanumeric code	Suction cups	Order code
A	VG.CF152S.50	VG.CF152 suction cup, silicone, 50 Shore	2321964



### Identification codes

Drawing	Alphanumeric code	Fittings	Order code
A	FT.G38F	G3/8" female fitting	1600009
B	FT.G14M.16	G1/4" male fitting	1600010
C	FT.G38M.199	G3/8" male fitting	1900039
D	FT.G12F	G1/2" female fitting	1600019

