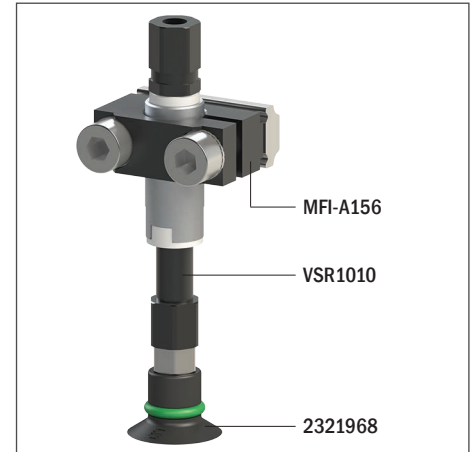


VG.CF16 flat suction cups, NBR-HNBR, with reinforcements

- Ideal for handling plastic parts and dry sheet metal
- Suitable for items with flat surfaces
- Suitable for handling items with lifting force parallel to the surface thanks to the reinforcements that increase friction and prevent deformations
- The HNBR version enables to work at high temperatures, whereas silicone or other mixtures may release traces of material
- The HNBR compound is robust and wear resistant, suitable for the removal of hot plastic parts from the relevant moulds
- HNBR and NBR compounds are ideal for applications where contamination of the material must be avoided (PWIS)

Application example



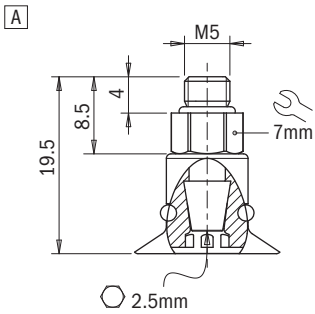
Technical data

Material	Lifting force [N] perpendicular to the surface, at various vacuum levels			Lifting force [N] parallel to the surface, at various vacuum levels			Volume [cm ³]	Min curve radius [mm]	Max vertical movement [mm]	Suction cup weight [g]
	-20 kPa	-60 kPa	-90 kPa	-20 kPa	-60 kPa	-90 kPa				
NBR 60	3.3	8.7	10.1	3.2	6.5	7.6	0.37	13	1	0.8
HNBR 60	3.3	8.7	10.1	3.2	6.5	7.6	0.37	13	1	0.8

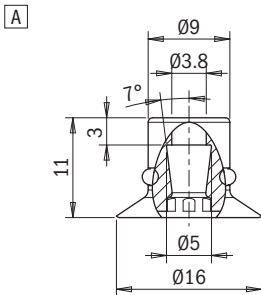
Technical features

Material	Colour	Hardness	Temperature range
NBR	Black	60 Shore	-30 ÷ +100 °C
HNBR	Blue	60 Shore	-25 ÷ +150 °C

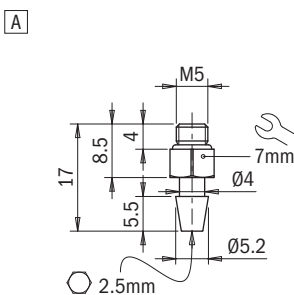
Identification codes			
Drawing	Alphanumeric code	Suction cups with fitting	Order code
A	VG.CF16N.60.M5M	VG.CF16 suction cup, NBR, 60 Shore, M5 male	2321968
A	VG.CF16H.60.M5M	VG.CF16 suction cup, HNBR, 60 Shore, M5 male	2322010



Identification codes			
Drawing	Alphanumeric code	Suction cups	Order code
A	VG.CF16N.60	VG.CF16 suction cup, NBR, 60 Shore	2321969
A	VG.CF16H.60	VG.CF16 suction cup, HNBR, 60 Shore	2322011



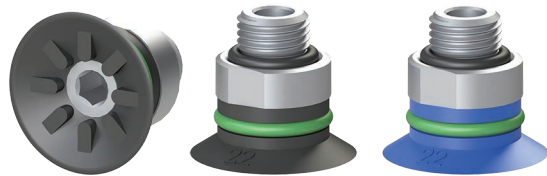
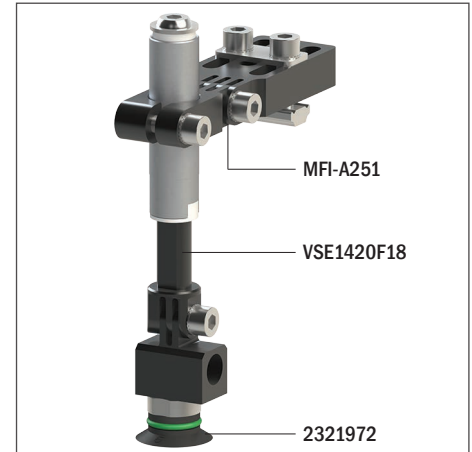
Identification codes			
Drawing	Alphanumeric code	Fittings	Order code
A	FT.M5M	M5 male fitting	1600005



VG.CF22 flat suction cups, NBR-HNBR, with reinforcements

- Ideal for handling plastic parts and dry sheet metal
- Suitable for items with flat surfaces
- Suitable for handling items with lifting force parallel to the surface thanks to the reinforcements that increase friction and prevent deformations
- The HNBR version enables to work at high temperatures, whereas silicone or other mixtures may release traces of material
- The HNBR compound is robust and wear resistant, suitable for the removal of hot plastic parts from the relevant moulds
- HNBR and NBR compounds are ideal for applications where contamination of the material must be avoided (PWIS)

Application example



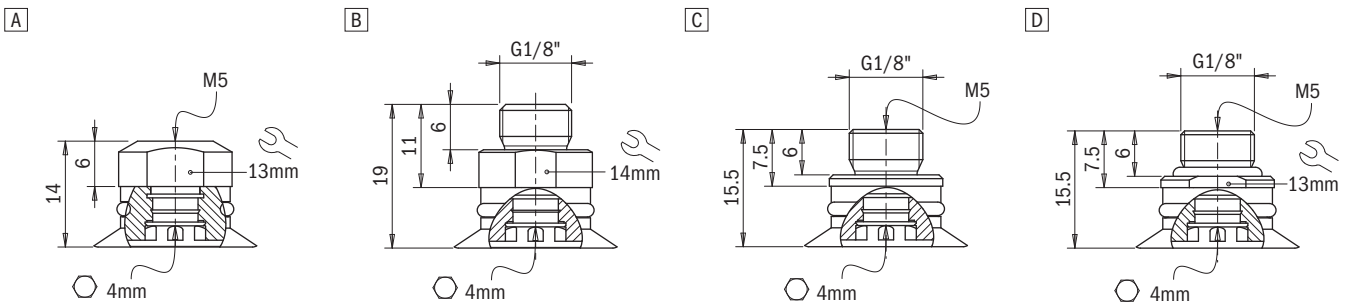
Technical data

Material	Lifting force [N] perpendicular to the surface, at various vacuum levels			Lifting force [N] parallel to the surface, at various vacuum levels			Volume [cm ³]	Min curve radius [mm]	Max vertical movement [mm]	Suction cup weight [g]
	-20 kPa	-60 kPa	-90 kPa	-20 kPa	-60 kPa	-90 kPa				
NBR 60	6.1	13.7	18.7	5.1	8.2	8.5	1	18	1.5	1.3
HNBR 60	6.1	13.7	18.7	5.1	8.2	8.5	1	18	1.5	1.1

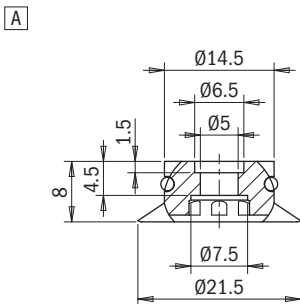
Technical features

Material	Colour	Hardness	Temperature range
NBR	Black	60 Shore	-30 ÷ +100 °C
HNBR	Blue	60 Shore	-25 ÷ +150 °C

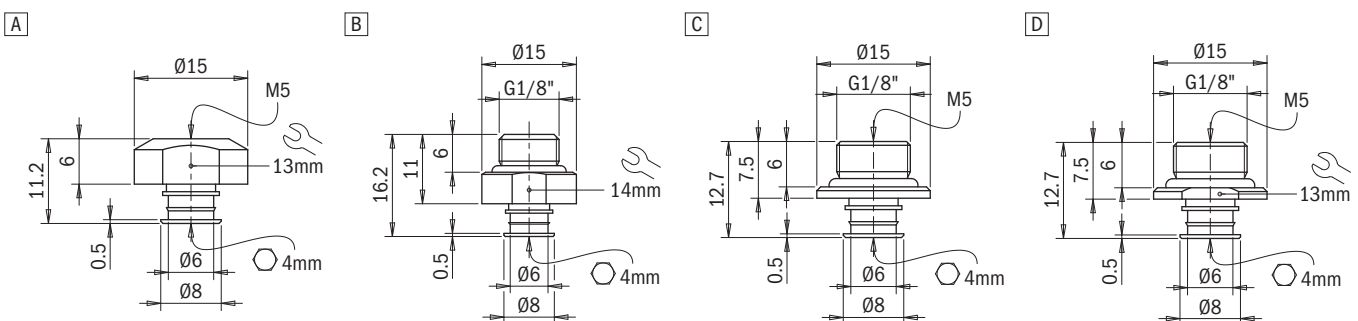
Identification codes			
Drawing	Alphanumeric code	Suction cups with fitting	Order code
A	VG.CF22N.60.M5F	VG.CF22 suction cup, NBR, 60 Shore, M5 female	2321970
B	VG.CF22N.60.G18M	VG.CF22 suction cup, NBR, 60 Shore, G1/8" male	2321972
C	VG.CF22N.60.G18MF	VG.CF22 suction cup, NBR, 60 Shore, G1/8" male/M5 female	2321973
D	VG.CF22N.60.G18MFV	VG.CF22 suction cup, NBR, 60 Shore, G1/8" male/M5 female with valve	2321974
A	VG.CF22H.60.M5F	VG.CF22 suction cup, HNBR, 60 Shore, M5 female	2322012
B	VG.CF22H.60.G18M	VG.CF22 suction cup, HNBR, 60 Shore, G1/8" male	2322014
C	VG.CF22H.60.G18MF	VG.CF22 suction cup, HNBR, 60 Shore, G1/8" male/M5 female	2322015
D	VG.CF22H.60.G18MFV	VG.CF22 suction cup, HNBR, 60 Shore, G1/8" male/M5 female with valve	2322016



Identification codes			
Drawing	Alphanumeric code	Suction cups	Order code
A	VG.CF22N.60	VG.CF22 suction cup, NBR, 60 Shore	2321971
A	VG.CF22H.60	VG.CF22 suction cup, HNBR, 60 Shore	2322013



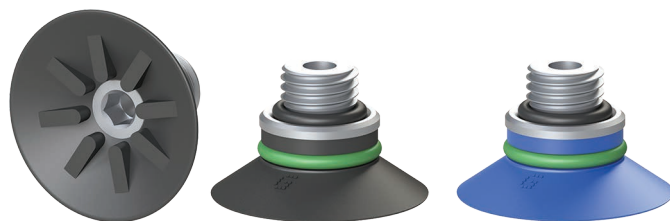
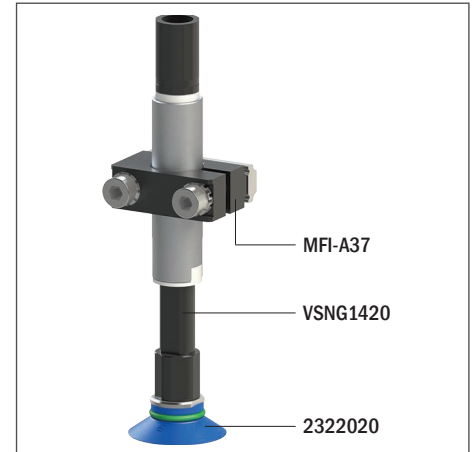
Identification codes			
Drawing	Alphanumeric code	Fittings	Order code
A	FT.M5F	Fitting, M5 female	1700006
B	FT.G18M.17	G1/8" male fitting	1700018
C	FT.G18M.M5F	G1/8" male / M5 female fitting	1700016
D	FT.G18M.M5F.VF	G1/8" male / M5 female fitting, with valve	1700017



VG.CF27 flat suction cups, NBR-HNBR, with reinforcements

- Ideal for handling plastic parts and dry sheet metal
- Suitable for items with flat surfaces
- Suitable for handling items with lifting force parallel to the surface thanks to the reinforcements that increase friction and prevent deformations
- The HNBR version enables to work at high temperatures, whereas silicone or other mixtures may release traces of material
- The HNBR compound is robust and wear resistant, suitable for the removal of hot plastic parts from the relevant moulds
- HNBR and NBR compounds are ideal for applications where contamination of the material must be avoided (PWIS)

Application example



Technical data

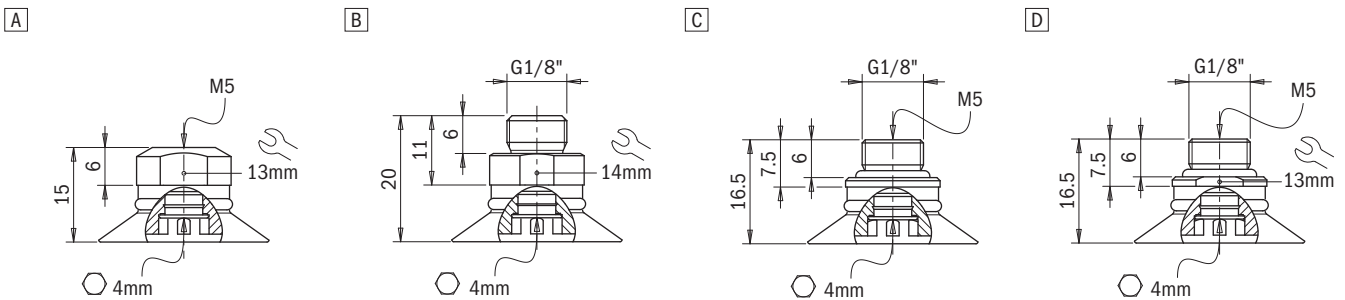
Material	Lifting force [N] perpendicular to the surface, at various vacuum levels			Lifting force [N] parallel to the surface, at various vacuum levels			Volume [cm ³]	Min curve radius [mm]	Max vertical movement [mm]	Suction cup weight [g]
	-20 kPa	-60 kPa	-90 kPa	-20 kPa	-60 kPa	-90 kPa				
NBR 60	8.9	21.6	29.1	8.3	9.3	10.2	1.1	22	1.5	1.8
HNBR 60	8.9	21.6	29.1	8.3	9.3	10.2	1.1	22	1.5	1.5

Technical features

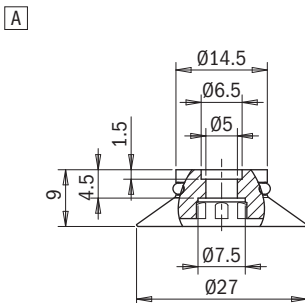
Material	Colour	Hardness	Temperature range
NBR	Black	60 Shore	-30 ÷ +100 °C
HNBR	Blue	60 Shore	-25 ÷ +150 °C

Identification codes

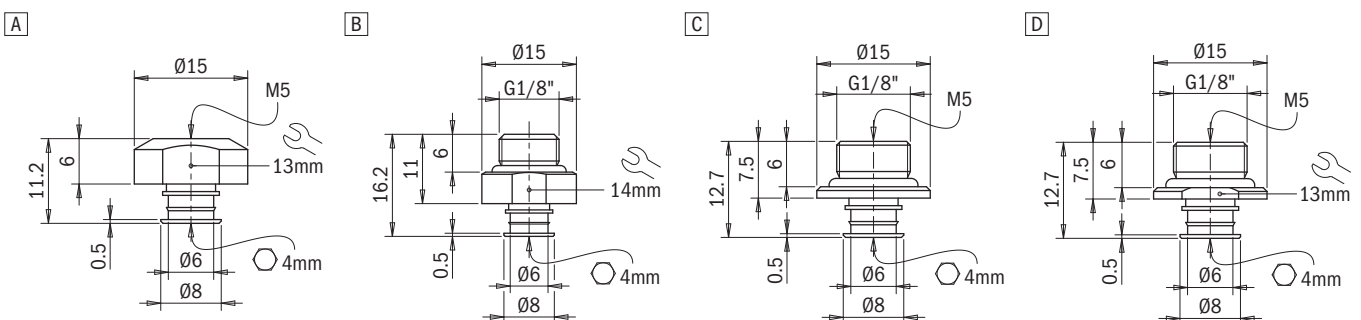
Drawing	Alphanumeric code	Suction cups with fitting	Order code
A	VG.CF27N.60.M5F	VG.CF27 suction cup, NBR, 60 Shore, M5 female	2321975
B	VG.CF27N.60.G18M	VG.CF27 suction cup, NBR, 60 Shore, G1/8" male	2321977
C	VG.CF27N.60.G18MF	VG.CF27 suction cup, NBR, 60 Shore, G1/8" male/M5 female	2321978
D	VG.CF27N.60.G18MFV	VG.CF27 suction cup, NBR, 60 Shore, G1/8" male/M5 female with valve	2321979
A	VG.CF27H.60.M5F	VG.CF27 suction cup, HNBR, 60 Shore, M5 female	2322017
B	VG.CF27H.60.G18M	VG.CF27 suction cup, HNBR, 60 Shore, G1/8" male	2322019
C	VG.CF27H.60.G18MF	VG.CF27 suction cup, HNBR, 60 Shore, G1/8" male/M5 female	2322020
D	VG.CF27H.60.G18MFV	VG.CF27 suction cup, HNBR, 60 Shore, G1/8" male/M5 female with valve	2322021


Identification codes

Drawing	Alphanumeric code	Suction cups	Order code
A	VG.CF27N.60	VG.CF27 suction cup, NBR, 60 Shore	2321976
A	VG.CF27H.60	VG.CF27 suction cup, HNBR, 60 Shore	2322018


Identification codes

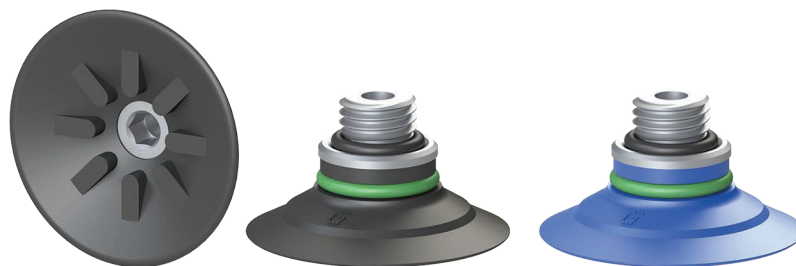
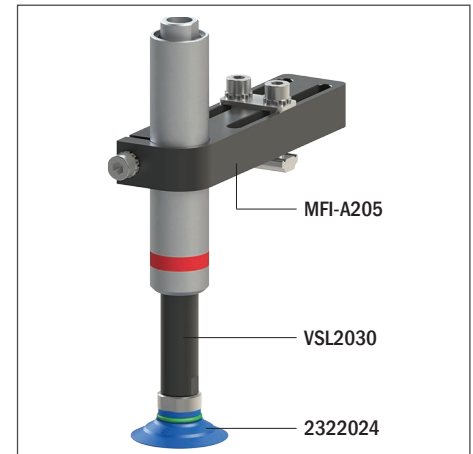
Drawing	Alphanumeric code	Fittings	Order code
A	FT.M5F	Fitting, M5 female	1700006
B	FT.G18M.17	G1/8" male fitting	1700018
C	FT.G18M.M5F	G1/8" male / M5 female fitting	1700016
D	FT.G18M.M5F.VF	G1/8" male / M5 female fitting, with valve	1700017



VG.CF33 flat suction cups, NBR-HNBR, with reinforcements

- Ideal for handling plastic parts and dry sheet metal
- Suitable for items with flat surfaces
- Suitable for handling items with lifting force parallel to the surface thanks to the reinforcements that increase friction and prevent deformations
- The HNBR version enables to work at high temperatures, whereas silicone or other mixtures may release traces of material
- The HNBR compound is robust and wear resistant, suitable for the removal of hot plastic parts from the relevant moulds
- HNBR and NBR compounds are ideal for applications where contamination of the material must be avoided (PWIS)

Application example



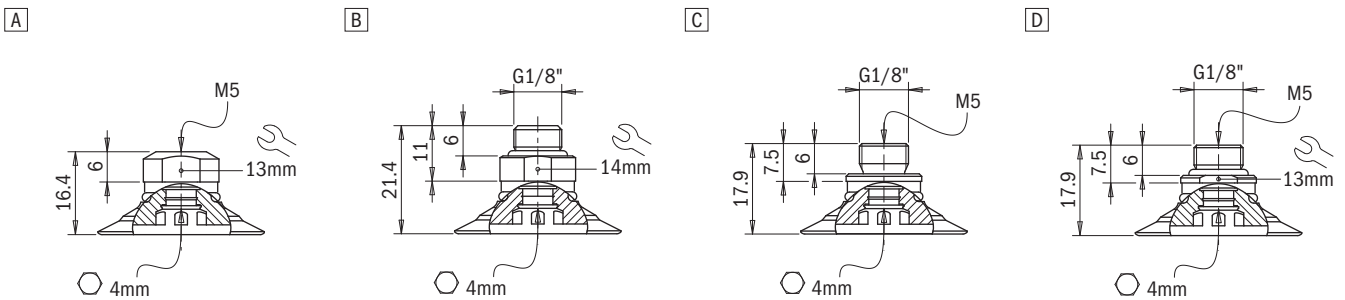
Technical data

Material	Lifting force [N] perpendicular to the surface, at various vacuum levels			Lifting force [N] parallel to the surface, at various vacuum levels			Volume [cm ³]	Min curve radius [mm]	Max vertical movement [mm]	Suction cup weight [g]
	-20 kPa	-60 kPa	-90 kPa	-20 kPa	-60 kPa	-90 kPa				
NBR 60	12.4	32.3	41.5	11	16.2	20.8	2	25	2	2.6
HNBR 60	12.4	32.3	41.5	11	16.2	20.8	2	25	2	2.1

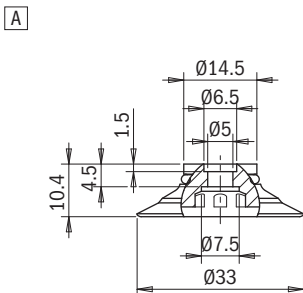
Technical features

Material	Colour	Hardness	Temperature range
NBR	Black	60 Shore	-30 ÷ +100 °C
HNBR	Blue	60 Shore	-25 ÷ +150 °C

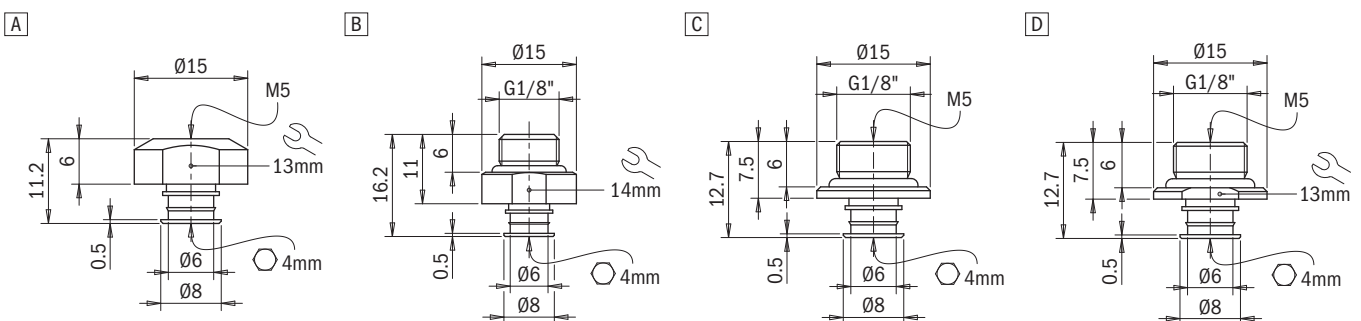
Identification codes			
Drawing	Alphanumeric code	Suction cups with fitting	Order code
A	VG.CF33N.60.M5F	VG.CF33 suction cup, NBR, 60 Shore, M5 female	2321980
B	VG.CF33N.60.G18M	VG.CF33 suction cup, NBR, 60 Shore, G1/8" male	2321982
C	VG.CF33N.60.G18MF	VG.CF33 suction cup, NBR, 60 Shore, G1/8" male/M5 female	2321983
D	VG.CF33N.60.G18MFV	VG.CF33 suction cup, NBR, 60 Shore, G1/8" male/M5 female with valve	2321984
A	VG.CF33H.60.M5F	VG.CF33 suction cup, HNBR, 60 Shore, M5 female	2322022
B	VG.CF33H.60.G18M	VG.CF33 suction cup, HNBR, 60 Shore, G1/8" male	2322024
C	VG.CF33H.60.G18MF	VG.CF33 suction cup, HNBR, 60 Shore, G1/8" male/M5 female	2322025
D	VG.CF33H.60.G18MFV	VG.CF33 suction cup, HNBR, 60 Shore, G1/8" male/M5 female with valve	2322026



Identification codes			
Drawing	Alphanumeric code	Suction cups	Order code
A	VG.CF33N.60	VG.CF33 suction cup, NBR, 60 Shore	2321981
A	VG.CF33H.60	VG.CF33 suction cup, HNBR, 60 Shore	2322023



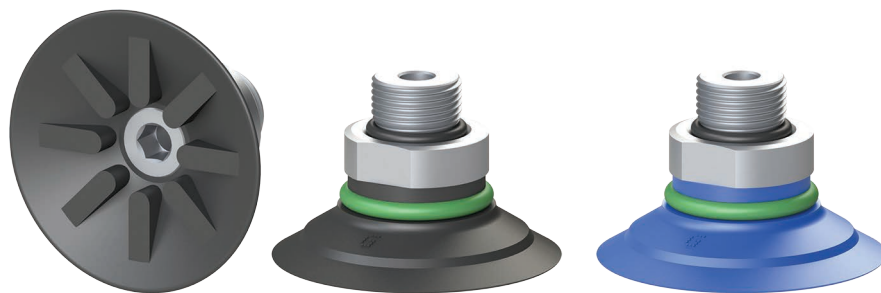
Identification codes			
Drawing	Alphanumeric code	Fittings	Order code
A	FT.M5F	Fitting, M5 female	1700006
B	FT.G18M.17	G1/8" male fitting	1700018
C	FT.G18M.M5F	G1/8" male / M5 female fitting	1700016
D	FT.G18M.M5F.VF	G1/8" male / M5 female fitting, with valve	1700017



VG.CF42 flat suction cups, NBR-HNBR, with reinforcements

- Ideal for handling plastic parts and dry sheet metal
- Suitable for items with flat surfaces
- Suitable for handling items with lifting force parallel to the surface thanks to the reinforcements that increase friction and prevent deformations
- The HNBR version enables to work at high temperatures, whereas silicone or other mixtures may release traces of material
- The HNBR compound is robust and wear resistant, suitable for the removal of hot plastic parts from the relevant moulds
- HNBR and NBR compounds are ideal for applications where contamination of the material must be avoided (PWIS)

Application example



Technical data

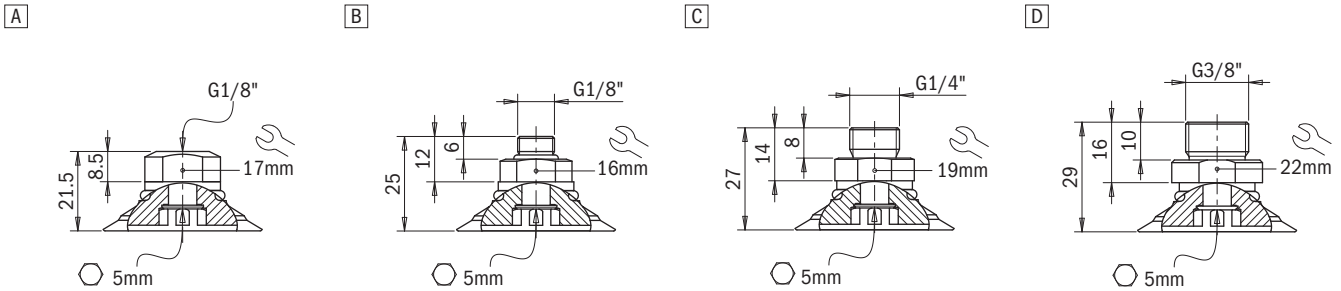
Material	Lifting force [N] perpendicular to the surface, at various vacuum levels			Lifting force [N] parallel to the surface, at various vacuum levels			Volume [cm ³]	Min curve radius [mm]	Max vertical movement [mm]	Suction cup weight [g]
	-20 kPa	-60 kPa	-90 kPa	-20 kPa	-60 kPa	-90 kPa				
NBR 60	21.8	52	68	15	24.5	31	4.8	52	1.8	6.3
HNBR 60	21.8	52	68	15	24.5	31	4.8	52	1.8	5.2

Technical features

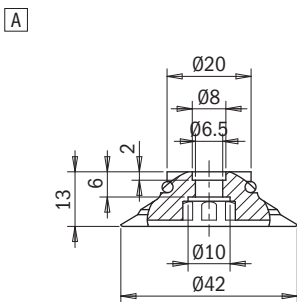
Material	Colour	Hardness	Temperature range
NBR	Black	60 Shore	-30 ÷ +100 °C
HNBR	Blue	60 Shore	-25 ÷ +150 °C

Identification codes

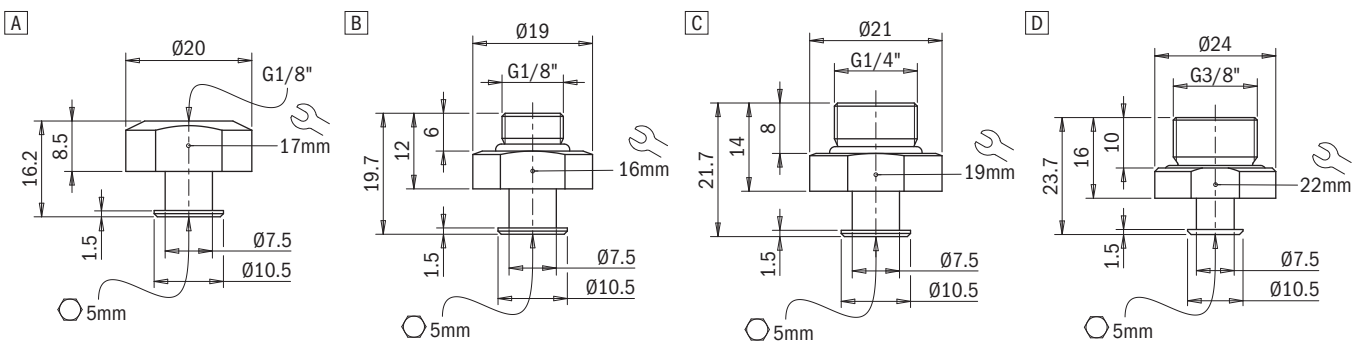
Drawing	Alphanumeric code	Suction cups with fitting	Order code
A	VG.CF42N.60.G18F	VG.CF42 suction cup, NBR, 60 Shore, G1/8" female	2321985
B	VG.CF42N.60.G18M	VG.CF42 suction cup, NBR, 60 Shore, G1/8" male	2321987
C	VG.CF42N.60.G14M	VG.CF42 suction cup, NBR, 60 Shore, G1/4" male	2321988
D	VG.CF42N.60.G38M	VG.CF42 suction cup, NBR, 60 Shore, G3/8" male	2321989
A	VG.CF42H.60.G18F	VG.CF42 suction cup, HNBR, 60 Shore, G1/8" female	2322027
B	VG.CF42H.60.G18M	VG.CF42 suction cup, HNBR, 60 Shore, G1/8" male	2322029
C	VG.CF42H.60.G14M	VG.CF42 suction cup, HNBR, 60 Shore, G1/4" male	2322030
D	VG.CF42H.60.G38M	VG.CF42 suction cup, HNBR, 60 Shore, G3/8" male	2322031


Identification codes

Drawing	Alphanumeric code	Suction cups	Order code
A	VG.CF42N.60	VG.CF42 suction cup, NBR, 60 Shore	2321986
A	VG.CF42H.60	VG.CF42 suction cup, HNBR, 60 Shore	2322028


Identification codes

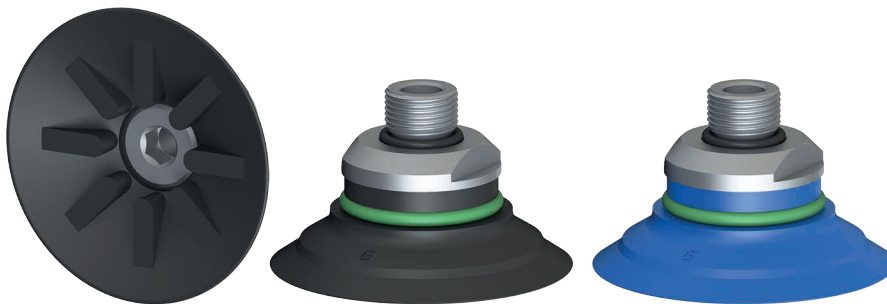
Drawing	Alphanumeric code	Fittings	Order code
A	FT.G18F.18	G1/8" female fitting	1800019
B	FT.G18M.18	G1/8" male fitting	1800018
C	FT.G14M.18	G1/4" male fitting	1800014
D	FT.G38M.18	G3/8" male fitting	1800038



VG.CF53 flat suction cups, NBR-HNBR, with reinforcements

- Ideal for handling plastic parts and dry sheet metal
- Suitable for items with flat surfaces
- Suitable for handling items with lifting force parallel to the surface thanks to the reinforcements that increase friction and prevent deformations
- The HNBR version enables to work at high temperatures, whereas silicone or other mixtures may release traces of material
- The HNBR compound is robust and wear resistant, suitable for the removal of hot plastic parts from the relevant moulds
- HNBR and NBR compounds are ideal for applications where contamination of the material must be avoided (PWIS)

Application example



Technical data

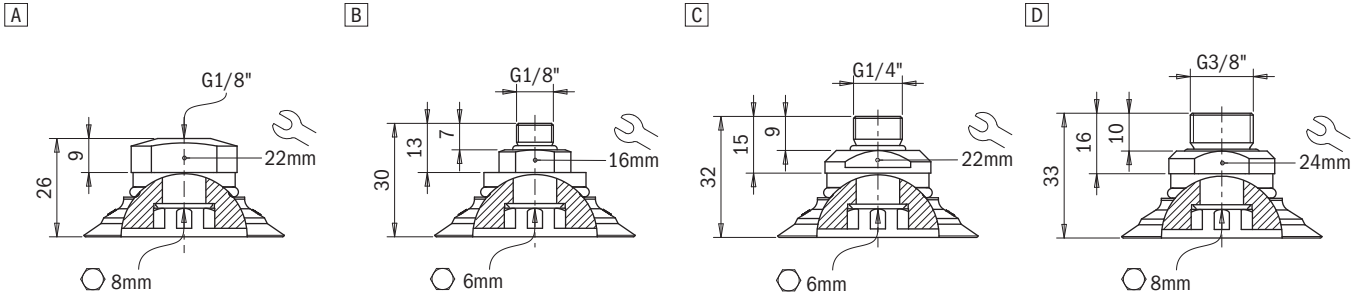
Material	Lifting force [N] perpendicular to the surface, at various vacuum levels			Lifting force [N] parallel to the surface, at various vacuum levels			Volume [cm ³]	Min curve radius [mm]	Max vertical movement [mm]	Suction cup weight [g]
	-20 kPa	-60 kPa	-90 kPa	-20 kPa	-60 kPa	-90 kPa				
NBR 60	36.7	72	98	25	42	49	10	55	2.2	13.1
HNBR 60	36.7	72	98	25	42	49	10	55	2.2	10.8

Technical features

Material	Colour	Hardness	Temperature range
NBR	Black	60 Shore	-30 ÷ +100 °C
HNBR	Blue	60 Shore	-25 ÷ +150 °C

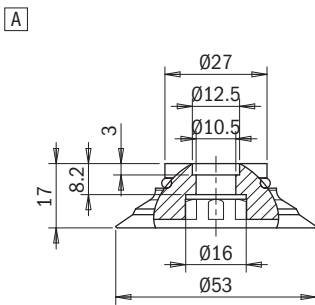
Identification codes

Drawing	Alphanumeric code	Suction cups with fitting	Order code
A	VG.CF53N.60.G18F	VG.CF53 suction cup, NBR, 60 Shore, G1/8" female	2321990
B	VG.CF53N.60.G18M	VG.CF53 suction cup, NBR, 60 Shore, G1/8" male	2321992
C	VG.CF53N.60.G14M	VG.CF53 suction cup, NBR, 60 Shore, G1/4" male	2321993
D	VG.CF53N.60.G38M	VG.CF53 suction cup, NBR, 60 Shore, G3/8" male	2321994
A	VG.CF53H.60.G18F	VG.CF53 suction cup, HNBR, 60 Shore, G1/8" female	2322032
B	VG.CF53H.60.G18M	VG.CF53 suction cup, HNBR, 60 Shore, G1/8" male	2322034
C	VG.CF53H.60.G14M	VG.CF53 suction cup, HNBR, 60 Shore, G1/4" male	2322035
D	VG.CF53H.60.G38M	VG.CF53 suction cup, HNBR, 60 Shore, G3/8" male	2322036



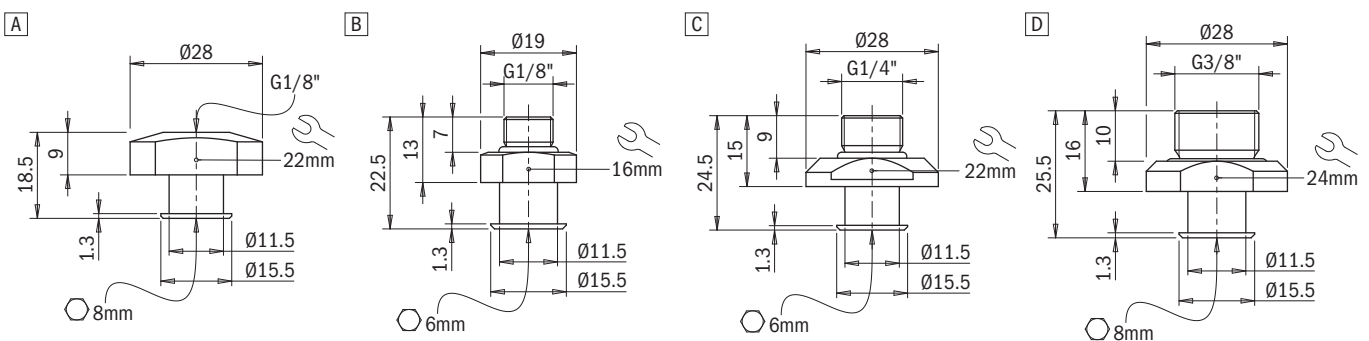
Identification codes

Drawing	Alphanumeric code	Suction cups	Order code
A	VG.CF53N.60	VG.CF53 suction cup, NBR, 60 Shore	2321991
A	VG.CF53H.60	VG.CF53 suction cup, HNBR, 60 Shore	2322033



Identification codes

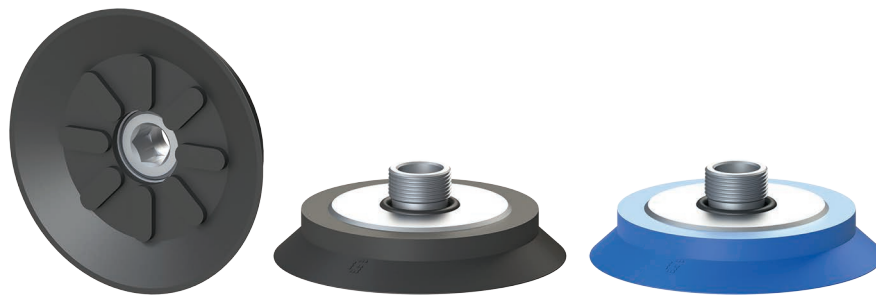
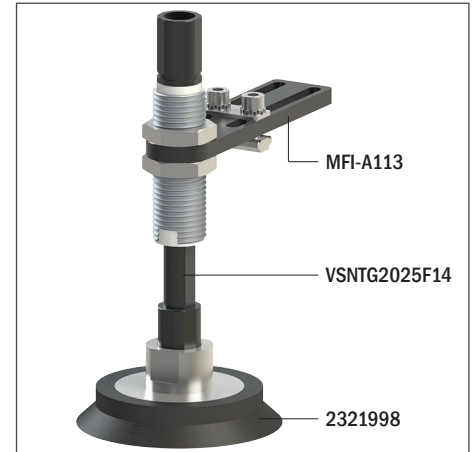
Drawing	Alphanumeric code	Fittings	Order code
A	FT.G18F.19	G1/8" female fitting	1900019
B	FT.G18M.19	G1/8" male fitting	1900018
C	FT.G14M.19	G1/4" male fitting	1900014
D	FT.G38M.198	G3/8" male fitting	1900038



VG.CF77 flat suction cups, NBR-HNBR, with reinforcements

- Ideal for handling plastic parts and dry sheet metal
- Suitable for items with flat surfaces
- Suitable for handling items with lifting force parallel to the surface thanks to the reinforcements that increase friction and prevent deformations
- The HNBR version enables to work at high temperatures, whereas silicone or other mixtures may release traces of material
- The HNBR compound is robust and wear resistant, suitable for the removal of hot plastic parts from the relevant moulds
- HNBR and NBR compounds are ideal for applications where contamination of the material must be avoided (PWIS)

Application example



Technical data

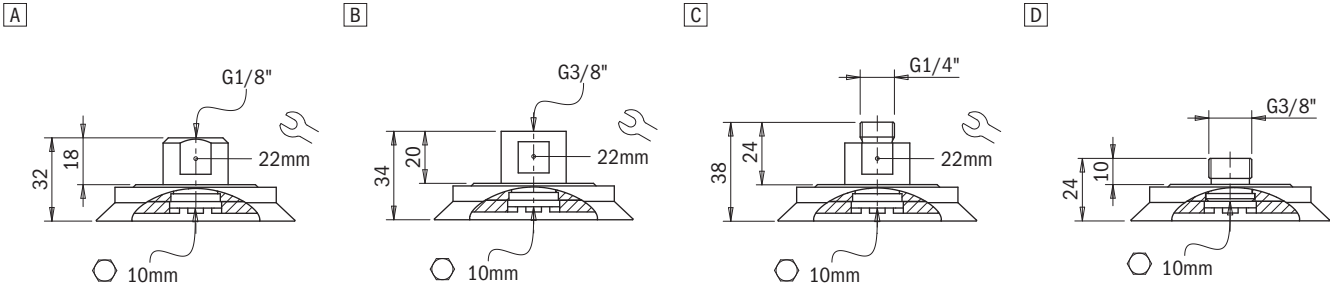
Material	Lifting force [N] perpendicular to the surface, at various vacuum levels			Lifting force [N] parallel to the surface, at various vacuum levels			Volume [cm ³]	Min curve radius [mm]	Max vertical movement [mm]	Suction cup weight [g]
	-20 kPa	-60 kPa	-90 kPa	-20 kPa	-60 kPa	-90 kPa				
NBR 60	90	215	290	60	118	145	20	150	3	38.6
HNBR 60	90	215	290	60	118	145	20	150	3	31.3

Technical features

Material	Colour	Hardness	Temperature range
NBR	Black	60 Shore	-30 ÷ +100 °C
HNBR	Blue	60 Shore	-25 ÷ +150 °C

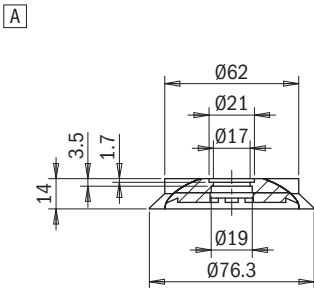
Identification codes

Drawing	Alphanumeric code	Suction cups with fitting	Order code
A	VG.CF77N.60.G18F	VG.CF77 suction cup, NBR, 60 Shore, G1/8" female	2321995
B	VG.CF77N.60.G38F	VG.CF77 suction cup, NBR, 60 Shore, G3/8" female	2321997
C	VG.CF77N.60.G14M	VG.CF77 suction cup, NBR, 60 Shore, G1/4" male	2321998
D	VG.CF77N.60.G38M	VG.CF77 suction cup, NBR, 60 Shore, G3/8" male	2321999
A	VG.CF77H.60.G18F	VG.CF77 suction cup, HNBR, 60 Shore, G1/8" female	2322037
B	VG.CF77H.60.G38F	VG.CF77 suction cup, HNBR, 60 Shore, G3/8" female	2322039
C	VG.CF77H.60.G14M	VG.CF77 suction cup, HNBR, 60 Shore, G1/4" male	2322040
D	VG.CF77H.60.G38M	VG.CF77 suction cup, HNBR, 60 Shore, G3/8" male	2322041



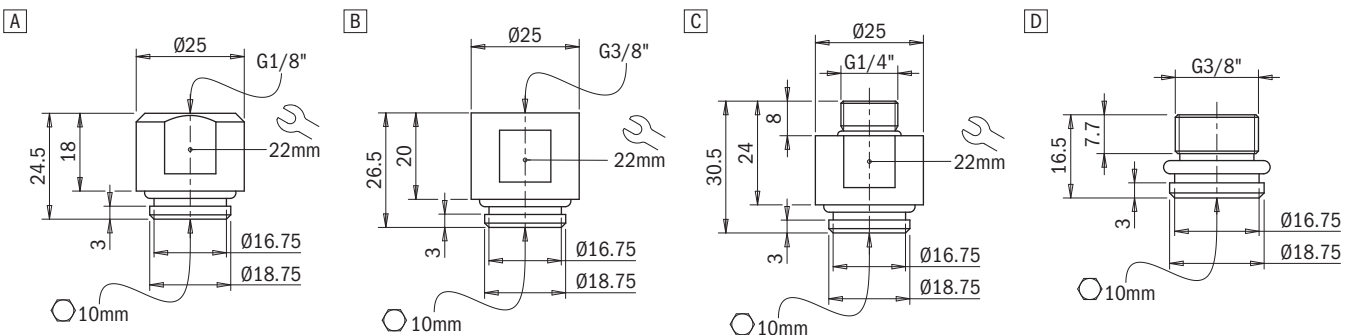
Identification codes

Drawing	Alphanumeric code	Suction cups	Order code
A	VG.CF77N.60	VG.CF77 suction cup, NBR, 60 Shore	2321996
A	VG.CF77H.60	VG.CF77 suction cup, HNBR, 60 Shore	2322038



Identification codes

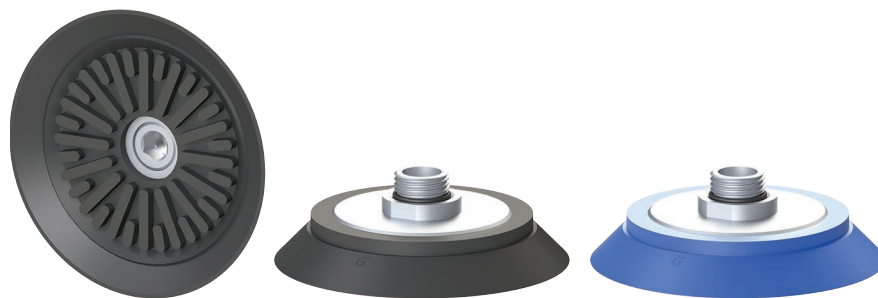
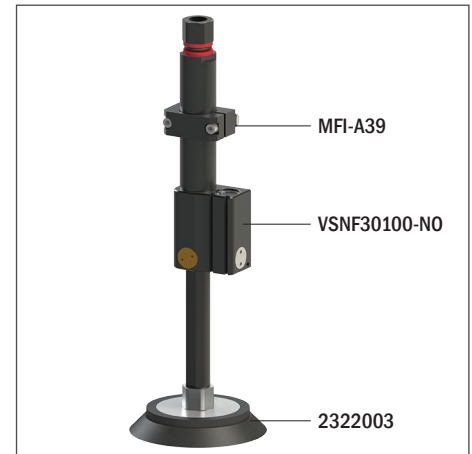
Drawing	Alphanumeric code	Fittings	Order code
A	FT.G18F.16	G1/8" female fitting	1600008
B	FT.G38F	G3/8" female fitting	1600009
C	FT.G14M.16	G1/4" male fitting	1600010
D	FT.G38M.199	G3/8" male fitting	1900039



VG.CF112 flat suction cups, NBR-HNBR, with reinforcements

- Ideal for handling plastic parts and dry sheet metal
- Suitable for items with flat surfaces
- Suitable for handling items with lifting force parallel to the surface thanks to the reinforcements that increase friction and prevent deformations
- The HNBR version enables to work at high temperatures, whereas silicone or other mixtures may release traces of material
- The HNBR compound is robust and wear resistant, suitable for the removal of hot plastic parts from the relevant moulds
- HNBR and NBR compounds are ideal for applications where contamination of the material must be avoided (PWIS)

Application example



Technical data

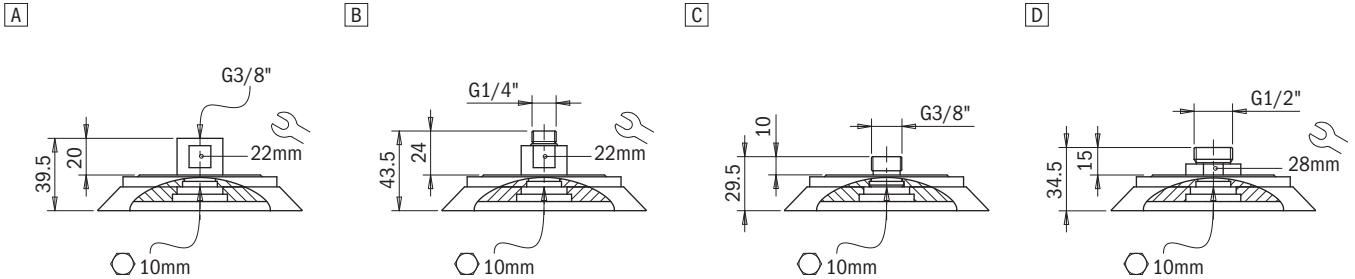
Material	Lifting force [N] perpendicular to the surface, at various vacuum levels			Lifting force [N] parallel to the surface, at various vacuum levels			Volume [cm ³]	Min curve radius [mm]	Max vertical movement [mm]	Suction cup weight [g]
	-20 kPa	-60 kPa	-90 kPa	-20 kPa	-60 kPa	-90 kPa				
NBR 60	160	465	570	145	259	310	70	250	4	98.6
HNBR 60	160	465	570	145	259	310	70	250	4	80.2

Technical features

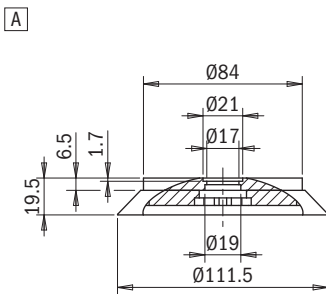
Material	Colour	Hardness	Temperature range
NBR	Black	60 Shore	-30 ÷ +100 °C
HNBR	Blue	60 Shore	-25 ÷ +150 °C

Identification codes

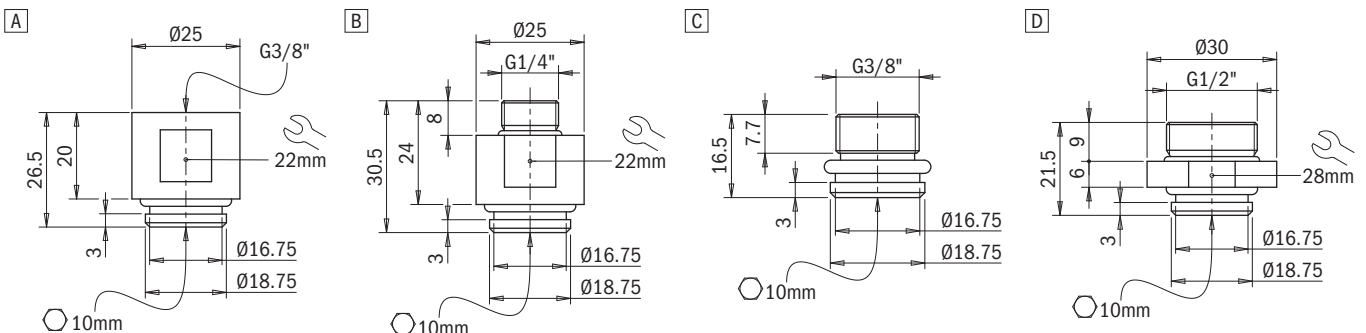
Drawing	Alphanumeric code	Suction cups with fitting	Order code
A	VG.CF112N.60.G38F	VG.CF112 suction cup, NBR, 60 Shore, G3/8" female	2322000
B	VG.CF112N.60.G14M	VG.CF112 suction cup, NBR, 60 Shore, G1/4" male	2322002
C	VG.CF112N.60.G38M	VG.CF112 suction cup, NBR, 60 Shore, G3/8" male	2322003
D	VG.CF112N.60.G12M	VG.CF112 suction cup, NBR, 60 Shore, G1/2" male	2322004
A	VG.CF112H.60.G38F	VG.CF112 suction cup, HNBR, 60 Shore, G3/8" female	2322042
B	VG.CF112H.60.G14M	VG.CF112 suction cup, HNBR, 60 Shore, G1/4" male	2322044
C	VG.CF112H.60.G38M	VG.CF112 suction cup, HNBR, 60 Shore, G3/8" male	2322045
D	VG.CF112H.60.G12M	VG.CF112 suction cup, HNBR, 60 Shore, G1/2" male	2322046


Identification codes

Drawing	Alphanumeric code	Suction cups	Order code
A	VG.CF112N.60	VG.CF112 suction cup, NBR, 60 Shore	2322001
A	VG.CF112H.60	VG.CF112 suction cup, HNBR, 60 Shore	2322043


Identification codes

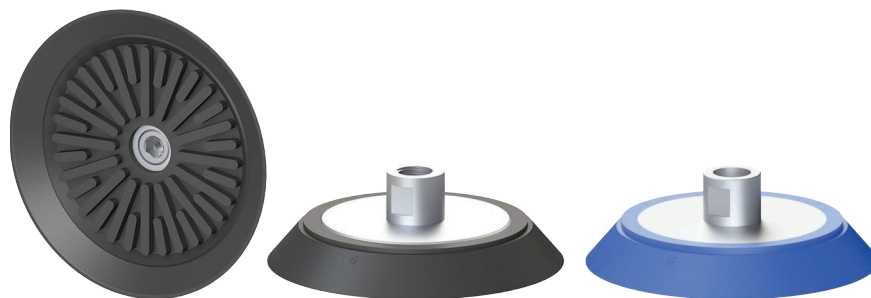
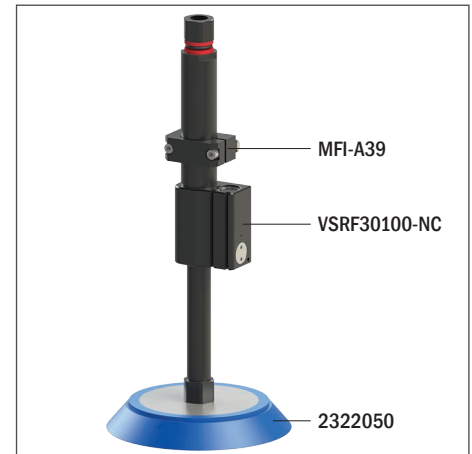
Drawing	Alphanumeric code	Fittings	Order code
A	FT.G38F	G3/8" female fitting	1600009
B	FT.G14M.16	G1/4" male fitting	1600010
C	FT.G38M.199	G3/8" male fitting	1900039
D	FT.G12M.16	G1/2" male fitting	1600015



VG.CF152 flat suction cups, NBR-HNBR, with reinforcements

- Ideal for handling plastic parts and dry sheet metal
- Suitable for items with flat surfaces
- Suitable for handling items with lifting force parallel to the surface thanks to the reinforcements that increase friction and prevent deformations
- The HNBR version enables to work at high temperatures, whereas silicone or other mixtures may release traces of material
- The HNBR compound is robust and wear resistant, suitable for the removal of hot plastic parts from the relevant moulds
- HNBR and NBR compounds are ideal for applications where contamination of the material must be avoided (PWIS)

Application example



Technical data

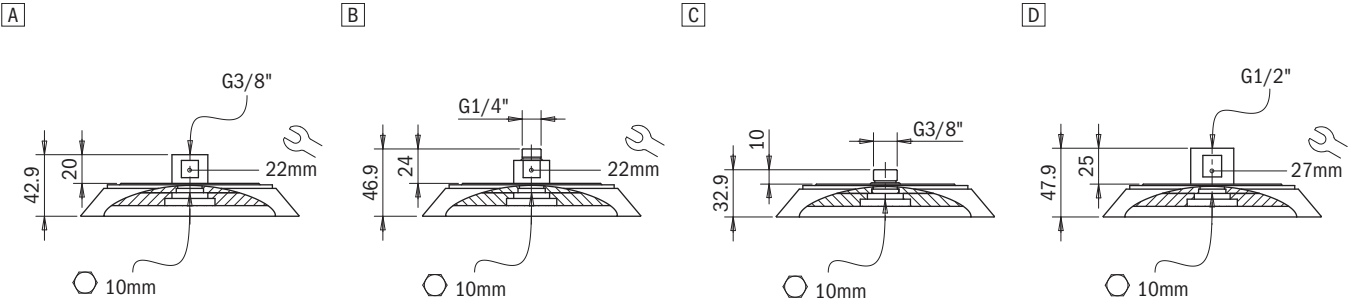
Material	Lifting force [N] perpendicular to the surface, at various vacuum levels			Lifting force [N] parallel to the surface, at various vacuum levels			Volume [cm ³]	Min curve radius [mm]	Max vertical movement [mm]	Suction cup weight [g]
	-20 kPa	-60 kPa	-90 kPa	-20 kPa	-60 kPa	-90 kPa				
NBR 60	310	900	1195	245	620	815	160	500	6	219
HNBR 60	310	900	1195	245	620	815	160	500	6	178

Technical features

Material	Colour	Hardness	Temperature range
NBR	Black	60 Shore	-30 ÷ +100 °C
HNBR	Blue	60 Shore	-25 ÷ +150 °C

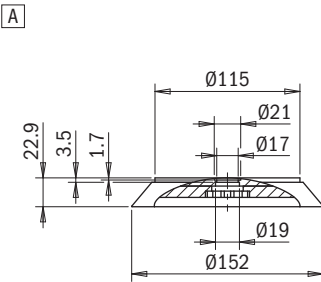
Identification codes

Drawing	Alphanumeric code	Suction cups with fitting	Order code
A	VG.CF152N.60.G38F	VG.CF152 suction cup, NBR, 60 Shore, G3/8" female	2322005
B	VG.CF152N.60.G14M	VG.CF152 suction cup, NBR, 60 Shore, G1/4" male	2322007
C	VG.CF152N.60.G38M	VG.CF152 suction cup, NBR, 60 Shore, G3/8" male	2322008
D	VG.CF152N.60.G12F	VG.CF152 suction cup, NBR, 60 Shore, G1/2" female	2322009
A	VG.CF152H.60.G38F	VG.CF152 suction cup, HNBR, 60 Shore, G3/8" female	2322047
B	VG.CF152H.60.G14M	VG.CF152 suction cup, HNBR, 60 Shore, G1/4" male	2322049
C	VG.CF152H.60.G38M	VG.CF152 suction cup, HNBR, 60 Shore, G3/8" male	2322050
D	VG.CF152H.60.G12F	VG.CF152 suction cup, HNBR, 60 Shore, G1/2" female	2322051



Identification codes

Drawing	Alphanumeric code	Suction cups	Order code
A	VG.CF152N.60	VG.CF152 suction cup, NBR, 60 Shore	2322006
A	VG.CF152H.60	VG.CF152 suction cup, HNBR, 60 Shore	2322048



Identification codes

Drawing	Alphanumeric code	Fittings	Order code
A	FT.G38F	G3/8" female fitting	1600009
B	FT.G14M.16	G1/4" male fitting	1600010
C	FT.G38M.199	G3/8" male fitting	1900039
D	FT.G12F	G1/2" female fitting	1600019

