

Bourdon Tube Pressure Gauge Model 111.12, Back Pressure Entry

WIKA Data Sheet PM 01.09

Applications

- Suitable for all gaseous and liquid media that will not obstruct the pressure system or attack copper alloy parts
- Pneumatics
- Heating, ventilation, climate
- Small compressors
- Medical engineering

Special Features

- Reliable and economical
- Design EN 837-1
- Nominal sizes 40, 50, 63, 80 and 100 mm
- Scale ranges up to 0...400 bar



Bourdon Tube Pressure Gauge Model 111.12

Description

Design

EN 837-1

Nominal size

40, 50, 63, 80 and 100 mm

Accuracy class

2.5

Scale ranges

0...0,6 to 0...400 bar

Or other equivalent units of pressure or vacuum.

Working pressure

Steady: $\frac{3}{4}$ of full scale value
 Fluctuating: $\frac{2}{3}$ of full scale value
 Short time: full scale value

Operating Temperature

Ambient: -40 ... +60 °C
 Medium: +60 °C maximum

Temperature effect

When temperature of the pressure element deviates from reference temperature (+20 °C):
 Max. ± 0.4 %/10 K of the span.

Pressure connection

Material: Cu-alloy
 Back mount (BM) per EN 837-1 /7.3
 40 mm: G $\frac{1}{8}$ B, 14 mm flats
 50 and 63 mm: G $\frac{1}{4}$ B, 14 mm flats
 80 and 100 mm: G $\frac{1}{2}$ B, 22 mm flats

Pressure element

Material: Cu-alloy
 ≤ 60 bar: C-type
 > 60 bar: helical type

Movement

Cu-alloy

Dial

40, 50 and 63 mm: white plastic, with pointer stop pin
 80 and 100 mm: white aluminium, with pointer stop pin with black lettering

Pointer

Black plastic

Case

Black plastic

100 mm only: black finish steel

Window

Crystal-clear plastic, snap-fit

Special versions

For closed central heating

63 and 80 mm

with red mark pointer and adjustable green sector

Scale range 0 ... 4 bar, red mark at 2.5 or 3 bar

For water-level-indicator and central heating

80 mm

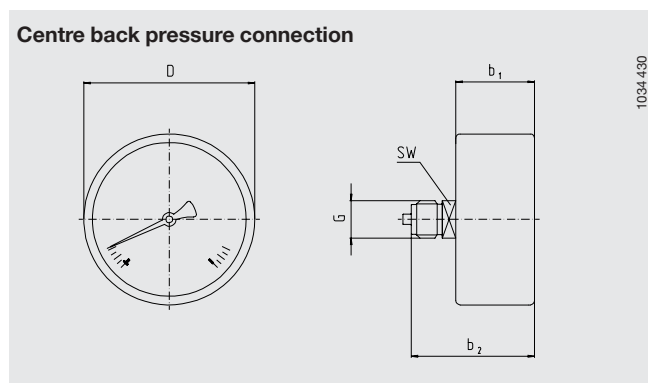
Scale ranges 0 ... 0.6 to 0 ... 40 bar with 2nd scale of mWS (metres of water)

Optional extras

- Accuracy class 1.6
- Other pressure connection
- Black finish steel case
- Triangular bezel with clamp

Dimensions

Standard versions



NS	Dimensions in mm		D	G	SW	Weight in kg
	$b_1 \pm 0,5$	$b_2 \pm 1$				
40	26	41.8	39	G 1/8 B	14	0.06
50	26.5	47.5	49	G 1/4 B	14	0.07
63	26.5	47	62	G 1/4 B	14	0.08
80	32	49	79	G 1/4 B	14	0.11
100	31	49	99	G 1/4 B	14	0.26

Standard pressure entry with parallel thread and sealing to EN 837-1 / 7.3

Ordering information

Pressure gauge model / Nominal size / Scale range / Size of connection / Optional extras required

Specifications and dimensions given in this leaflet represent the state of engineering at the time of printing. Modifications may take place and materials specified may be replaced by others without prior notice.



WIKAL Alexander Wiegand GmbH & Co. KG
Alexander-Wiegand-Straße 30
63911 Klingenberg/Germany
Phone (+49) 93 72/132-0
Telefax (+49) 93 72/132-406
E-Mail info@wika.de
www.wika.de